

# Terminal module 4-pin



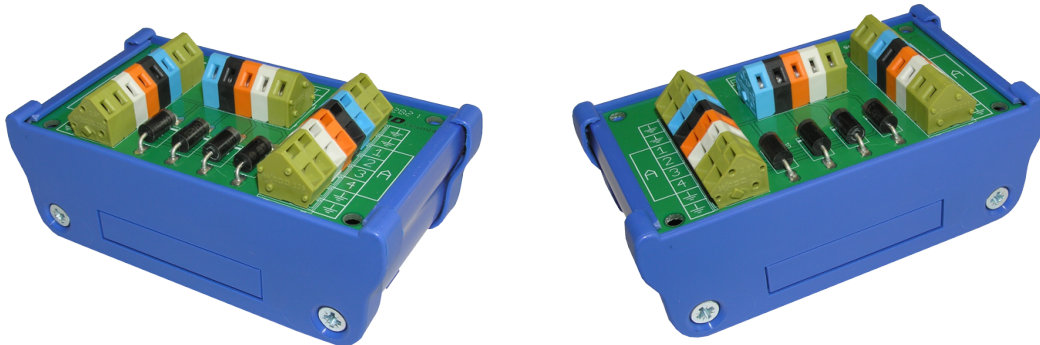
Schneid GesmbH | Gewerbering 16 | A-8054 | Graz/Pirka | Tel: +43 (316) 285022

Products, data sheets, documentation, MR12-SCHEMA-calculator: [www.schneid.at](http://www.schneid.at)

## SCHNEID terminal module 4-pole for FSS-SCHNEID systems with integrated surge arrester module four-pole

**Order number:** 020.11877

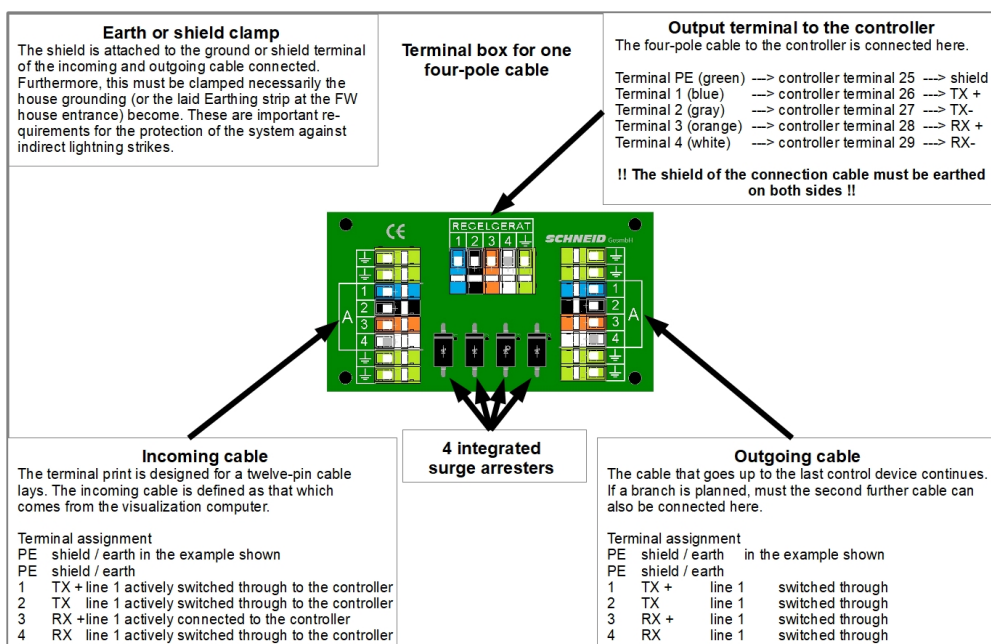
**Order code:** Anklemmmodul 4polig für FSS-SCHNEID Systeme



### Overview:

The SCHNEID 4-pole terminal module for FSS-SCHNEID systems is used to clamp the ground data cable in accordance with the specifications for SCHNEID networks (for more details see [www.schneid.at](http://www.schneid.at)). Furthermore, all necessary discharge modules and protective devices for the precautions to protect the network and the control electronics from direct and indirect lightning strikes are integrated in the terminal module. The terminal module is supplied in a DinRAIL housing for top-hat rail mounting.

### Terminal plan:



# Terminal module 4-pin

## Scope of delivery:

SCHNEID terminal module 04P for FSS-SCHNEID systems with integrated four-pole overvoltage module in DIN rail with two side covers and clips.

## Technical specifications:

Intrastat Number	8537.10.91.99
Country of origin	EU/AT
Height, width, depth (in mm)	59,5 x 111 x 61
Weight (in kg)	0,119
Degree of protection	IP-00
Ambient temperature	0°C....+40°C
Breakdown Voltage $V_{BR}$	9,5 – 10,5V
Maximum Clamping Voltage $V_C$	14,5V
Maximum Peak Pulse $I_{PPM}$	103A
Peak Pulse Power (10/1000 $\mu$ s)	1500W
Connection type	Fixed wiring terminals
Connection technology	Spring clamp
Cable cross-section	Max. 2.5mm <sup>2</sup>
Mounting type	DIN-RAIL TS35
Operating time	Continuous operation
Degree of pollution	2