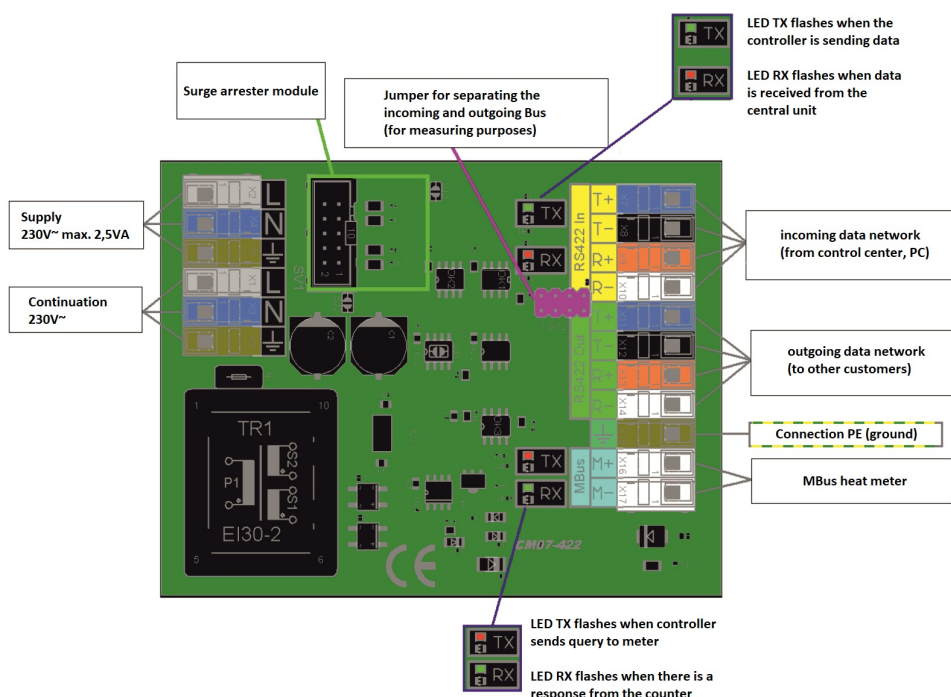


RS-422 communication module



Scope of Delivery:

SCHNEID communication module RS422 NormBus and connection cable 10-pin (800mm)

Technical specifications:

Intrastat Number	8537.10.91.90
Country of origin	EU/AT
Height, width, depth (in mm)	75x100x40
Weight (in kg)	0,188
Protection class	IP-20
Ambient temperature	0°C....+40°C
Operating voltage	230VAC
Power consumption	Max. 3VA
Connection type	Fixed wiring terminals
Connection technology	Cage clamp
Line cross-section	Max. 2.5mm ²
Mounting type	DIN-RAIL TS35
Operating time	Continuous operation
Degree of pollution	2
Rated surge voltage	1kV