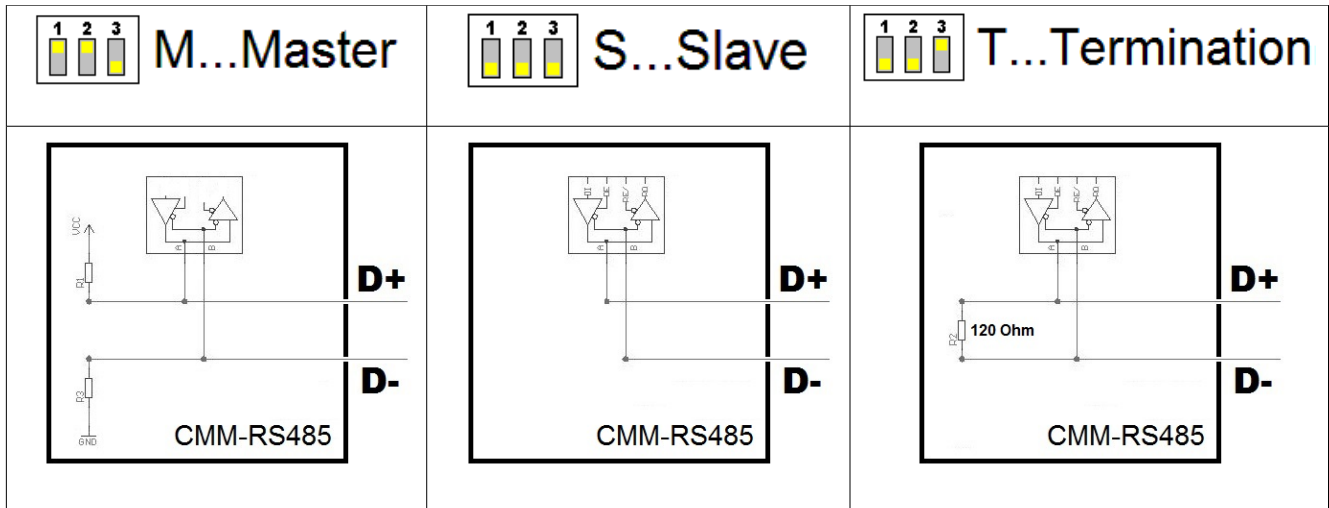
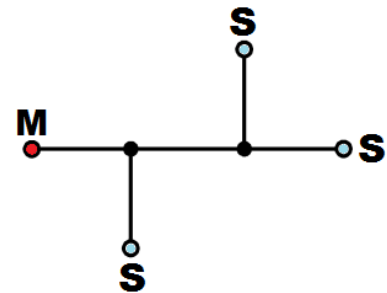
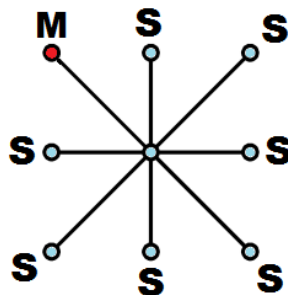
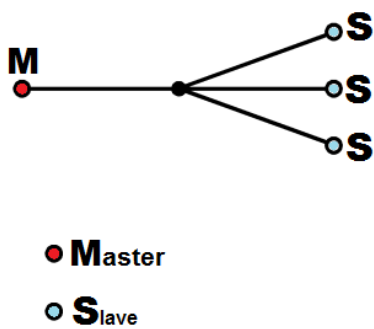


Plug-in card module CM-485



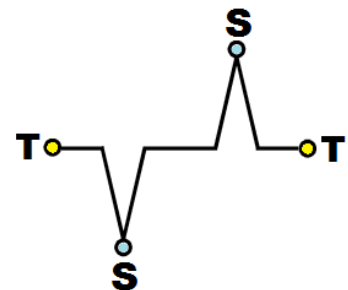
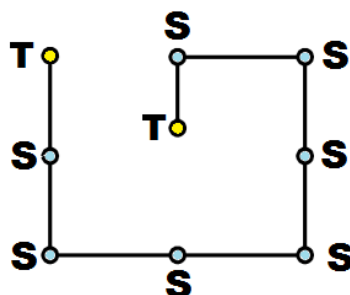
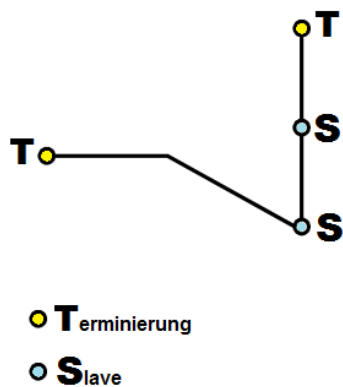
Sterntopologie

1 Master pro Netzwerk



Linientopologie

Terminierung jeweils am Anfang und Ende



Plug-in card module CM-485

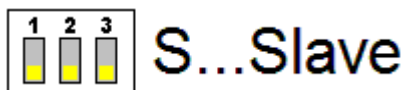
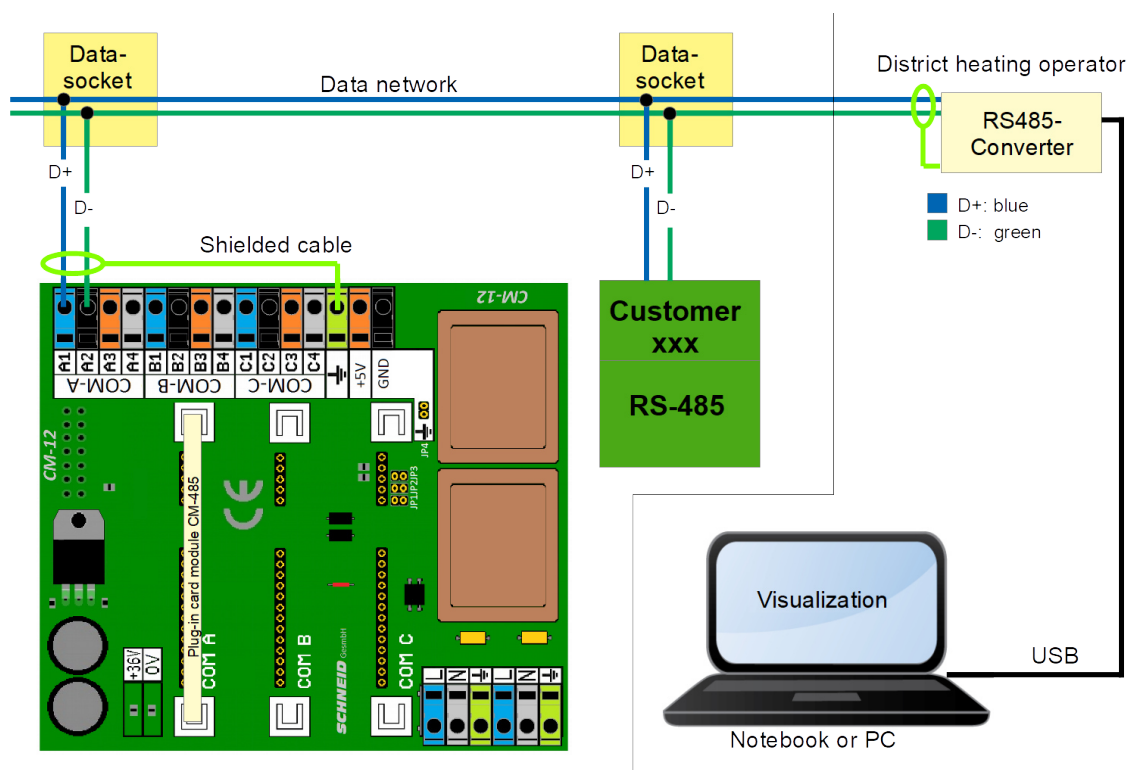
Connection diagram:

The terminal assignment refers to the respective slot:

| | |
|-------|--------------|
| COM-A | Clamps A1-A4 |
| COM-B | Clamps B1-B4 |
| COM-C | Clamps C1-C4 |

Connection to terminals:

| | |
|---|----|
| 1 | D+ |
| 2 | D- |
| 3 | D+ |
| 4 | D- |



Plug-in card module CM-485

If the RS-485 plug-in card is used for sub-communication, the jumpers (JP1-3) on the COM-C slot must be removed on the CMM base.

The plug-in card can be configured to master, slave or termination using DipSwitch.

If configured to "Master", no RS485 bus termination module needs to be used.

