

Plug-in card module CM-485

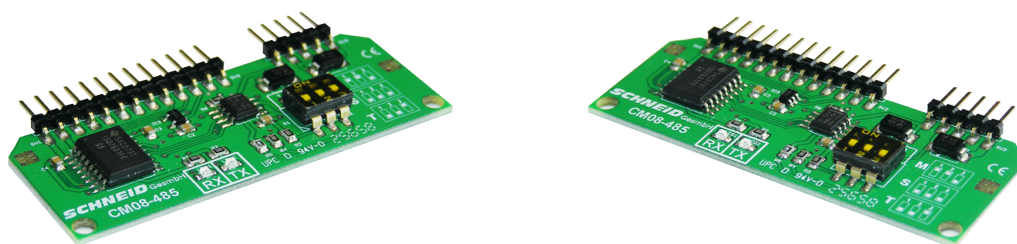


Schneid GesmbH | Gewerbering 16 | A-8054 | Graz/Pirka | Tel: +43 (316) 285022

Products, data sheets, documentation, MR12-SCHEMA-calculator: www.schneid.at

SCHNEID Plug-in card module CM-485 for SCHNEID-Communication base modules

Order number:	130.13558
Order code:	Steckkartenmodul CM-485

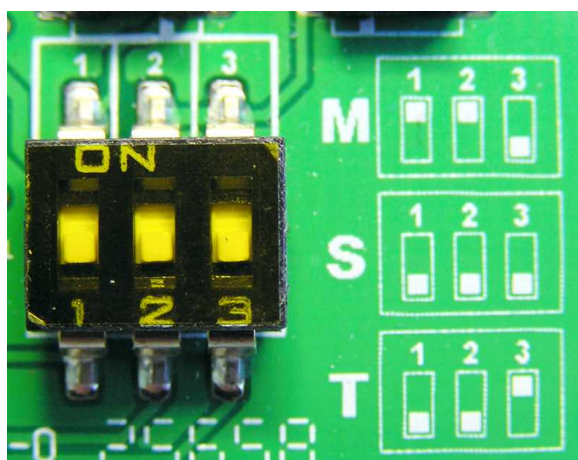


Overview:

The SCHNEID plug-in card module CM-485 is only suitable for the SCHNEID communication basic modules of the module control series.

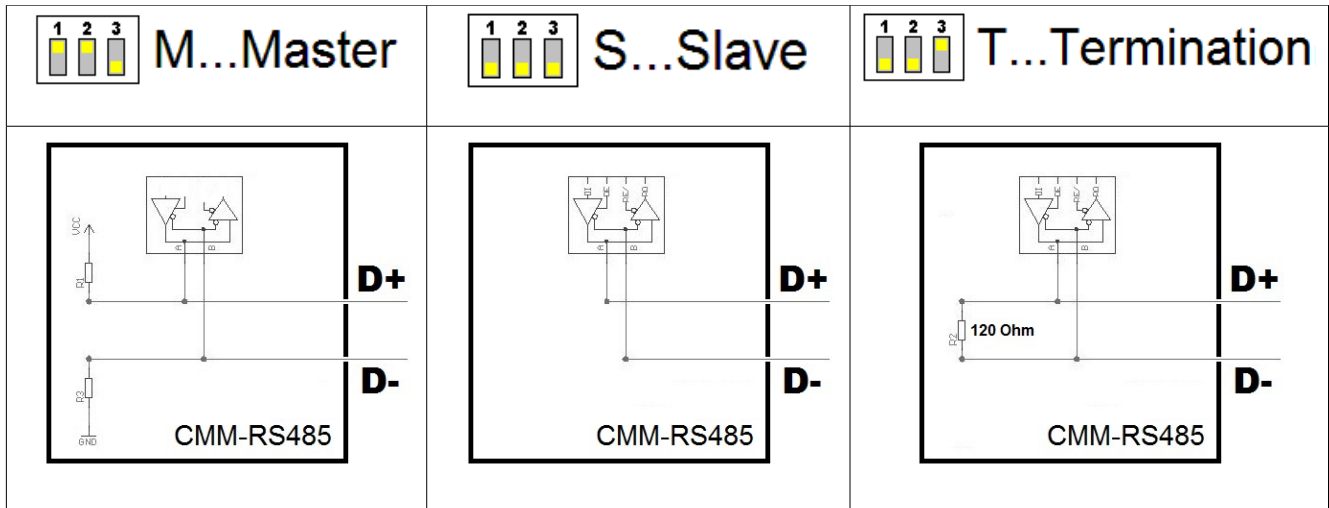
With this plug-in module card, the control device can be integrated into an RS485 data network.
Maximum baud rate 115200

The plug-in card can be configured to "Master", "Slave" or "Termination" using DipSwitch.
If configured to "Master", no RS485 bus termination module needs to be plugged in.
Only one module may be configured as MASTER in a network.



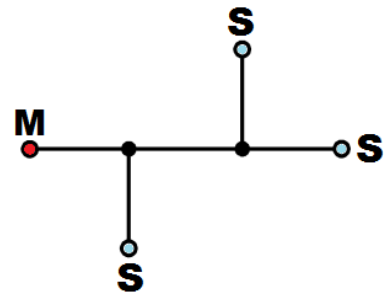
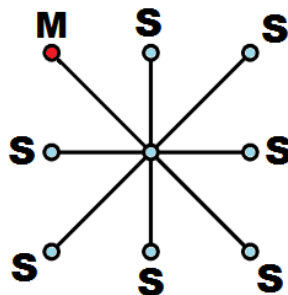
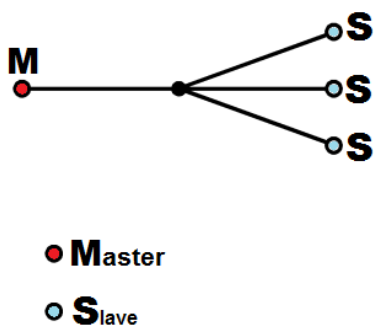
M	Master
S	Slave
T	Termination (120 Ohm)

Plug-in card module CM-485



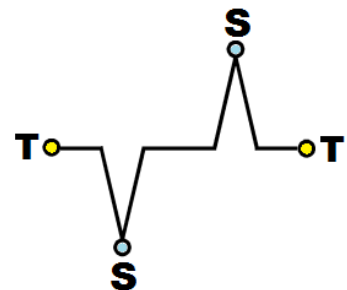
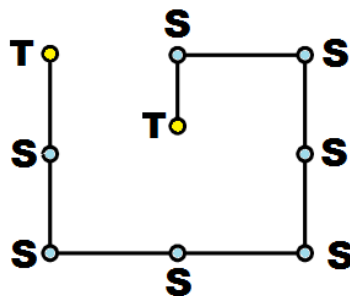
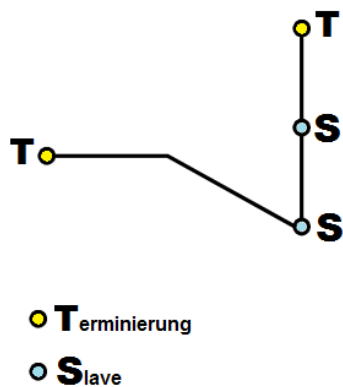
Sterntopologie

1 Master pro Netzwerk



Linientopologie

Terminierung jeweils am Anfang und Ende



Plug-in card module CM-485

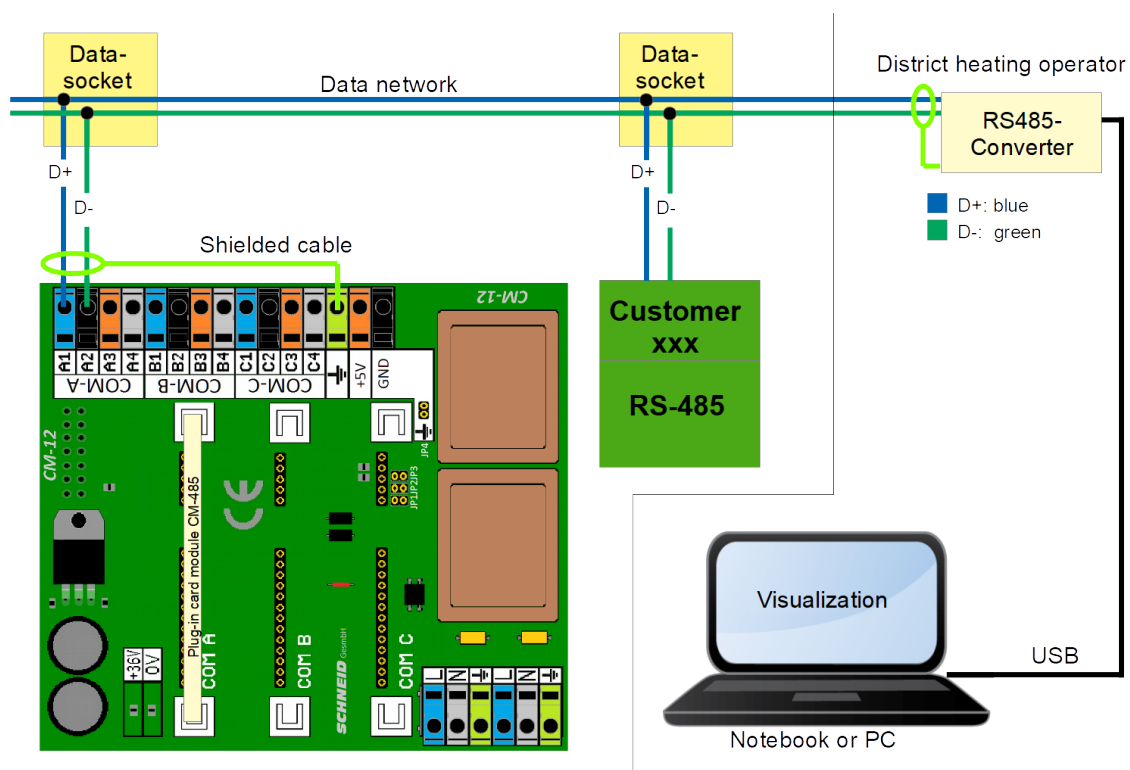
Connection diagram:

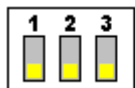
The terminal assignment refers to the respective slot:

COM-A	Clamps A1-A4
COM-B	Clamps B1-B4
COM-C	Clamps C1-C4

Connection to terminals:

1	D+
2	D-
3	D+
4	D-



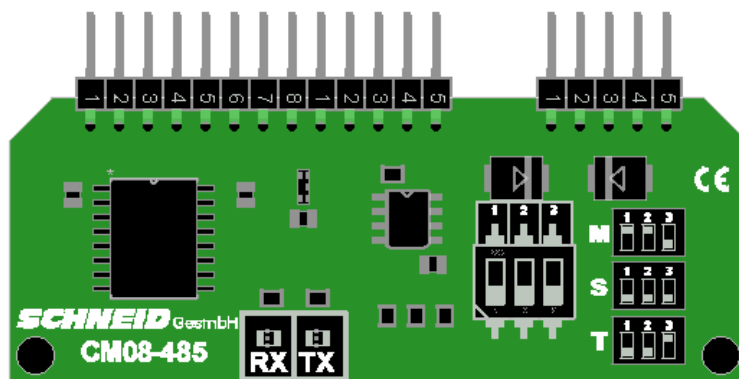
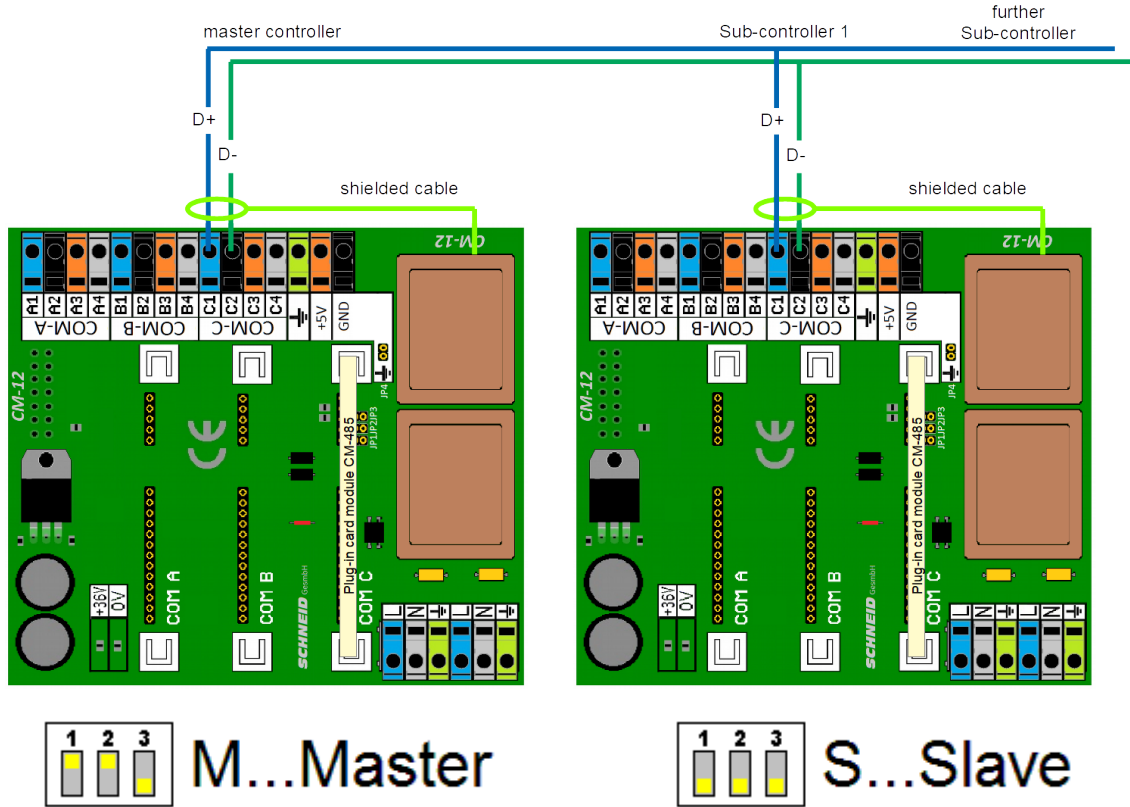
 S...Slave

Plug-in card module CM-485

If the RS-485 plug-in card is used for sub-communication, the jumpers (JP1-3) on the COM-C slot must be removed on the CMM base.

The plug-in card can be configured to master, slave or termination using DipSwitch.

If configured to "Master", no RS485 bus termination module needs to be used.



Plug-in card module CM-485

Scope of delivery:

SCHNEID Plug-in card module CM-485

Technical specifications:

Intrastat Number:	8537.10.91.90
Country of origin	EU/AT
Height, width, depth (in mm)	32x65x7
Weight (in kg)	0,008
Degree of protection	IP-00
Ambient temperature	0°C....+40°C
Operating voltage	5VDC
Power consumption	15mA
Max baud rate	115200 Bit/s
Connection type	Pin headers for base module
Mounting type	Plug-in card module
Operating time	Continuous operation
Degree of pollution	2