

# Plug-in card module CM08-485

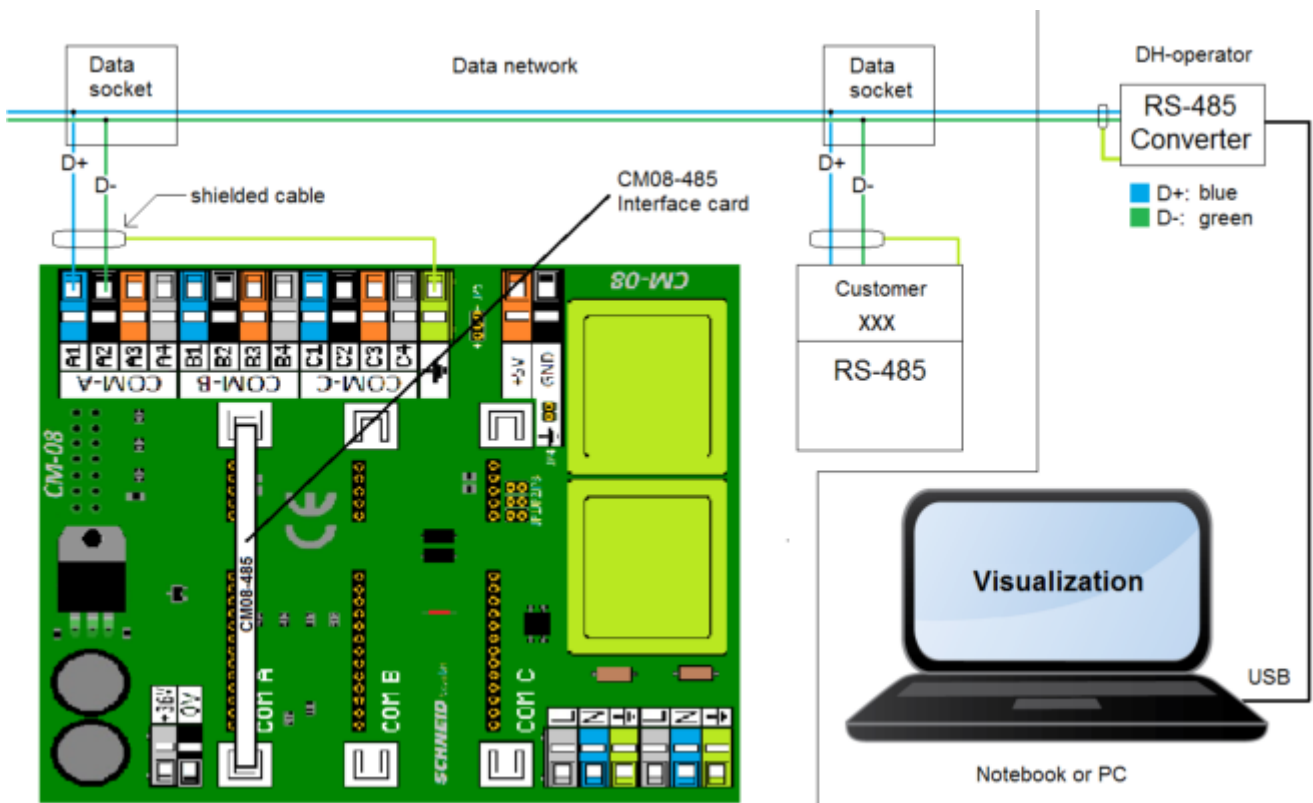
## Connection diagram:


The terminal assignment refers to the respective slot:

COM-A	Clamps A1-A4
COM-B	Clamps B1-B4
COM-C	Clamps C1-C4

## Connection to terminals:

1	D+
2	D-
3	D+
4	D-



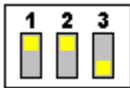
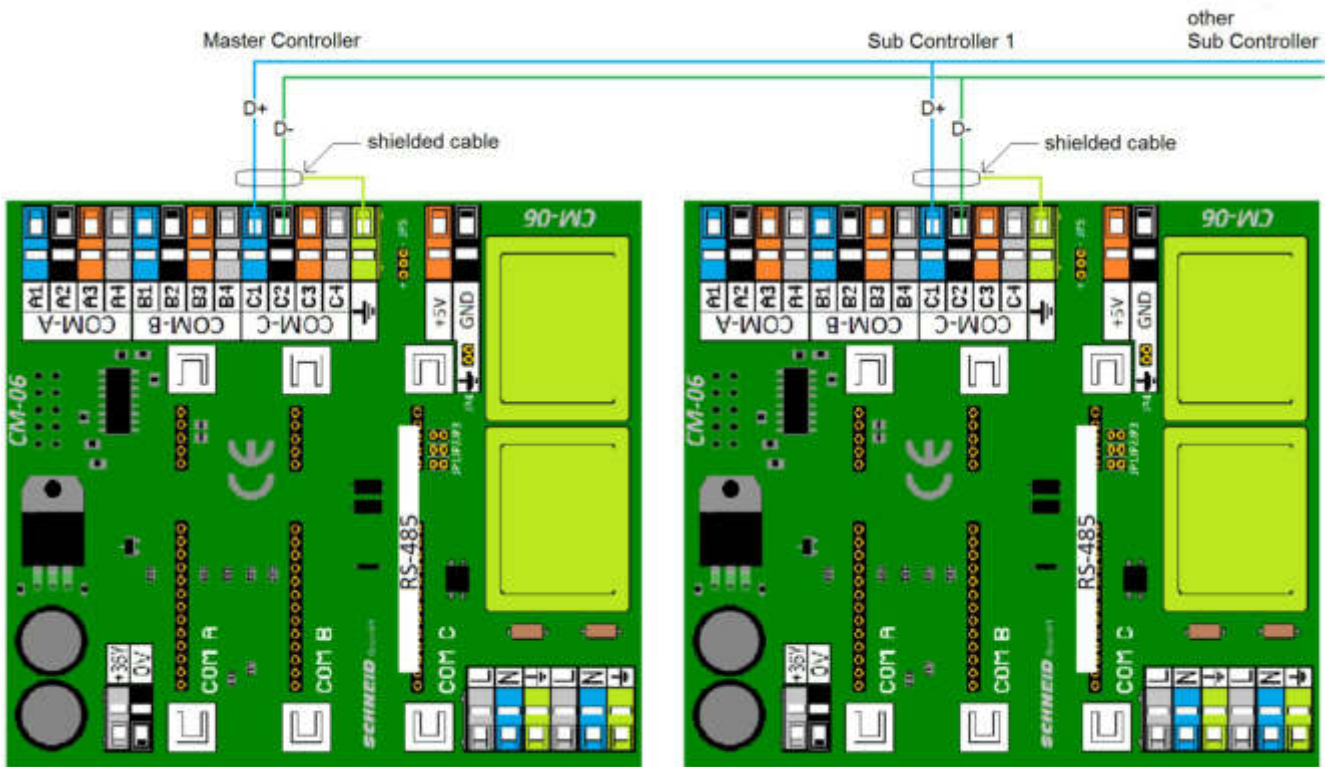

**S...Slave**

# Plug-in card module CM08-485

If the RS-485 plug-in card is used for sub-communication, the jumpers (JP1-3) on the COM-C slot must be removed on the CMM base.

The plug-in card can be configured to master, slave or termination using DipSwitch.

If configured to "Master", no RS485 bus termination module needs to be used.



M...Master



S...Slave

