

# Plug-in card module CM-MBus-Master



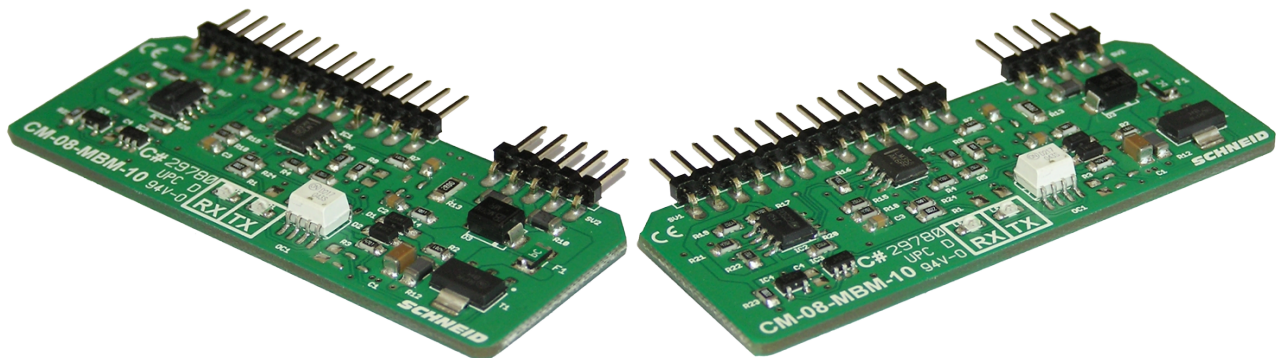
Schneid GesmbH | Gewerbering 16 | A-8054 | Graz/Pirka | Tel: +43 (316) 285022

Products, data sheets, documentation, MR12-SCHEMA-calculator: [www.schneid.at](http://www.schneid.at)

## SCHNEID Plug-in card module CM-MBM (MBus Master)

for SCHNEID-Communication base modules

Order number:	130.13559
Order code:	Steckkartenmodul CM-MBM

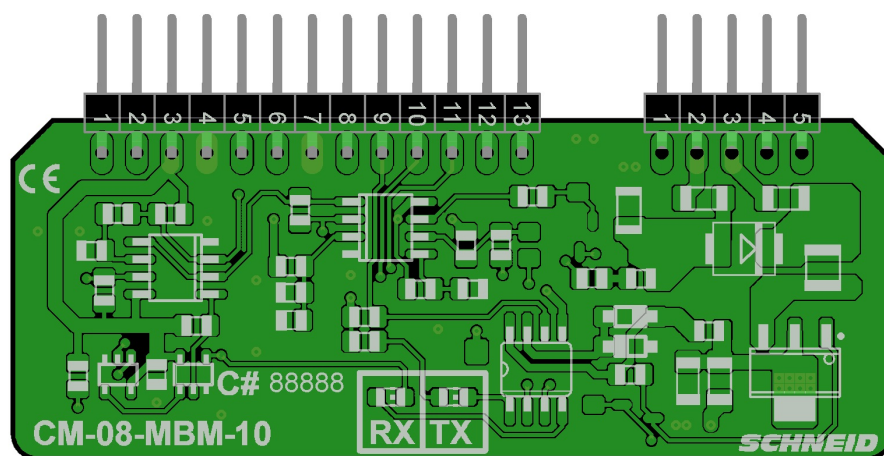


### Overview:

The SCHNEID plug-in card module-CM-MBM is only suitable for the SCHNEID communication basic modules of the module control series.

With this module card, the control device represents an MBus master in an MBus data network and can thus read, for example, heat meters or other MBus slave devices.

The maximum number of slave devices is ten. This requires setting the number. It is a baud rate up to max. 9600 baud possible.



# Plug-in card module CM-MBus-Master

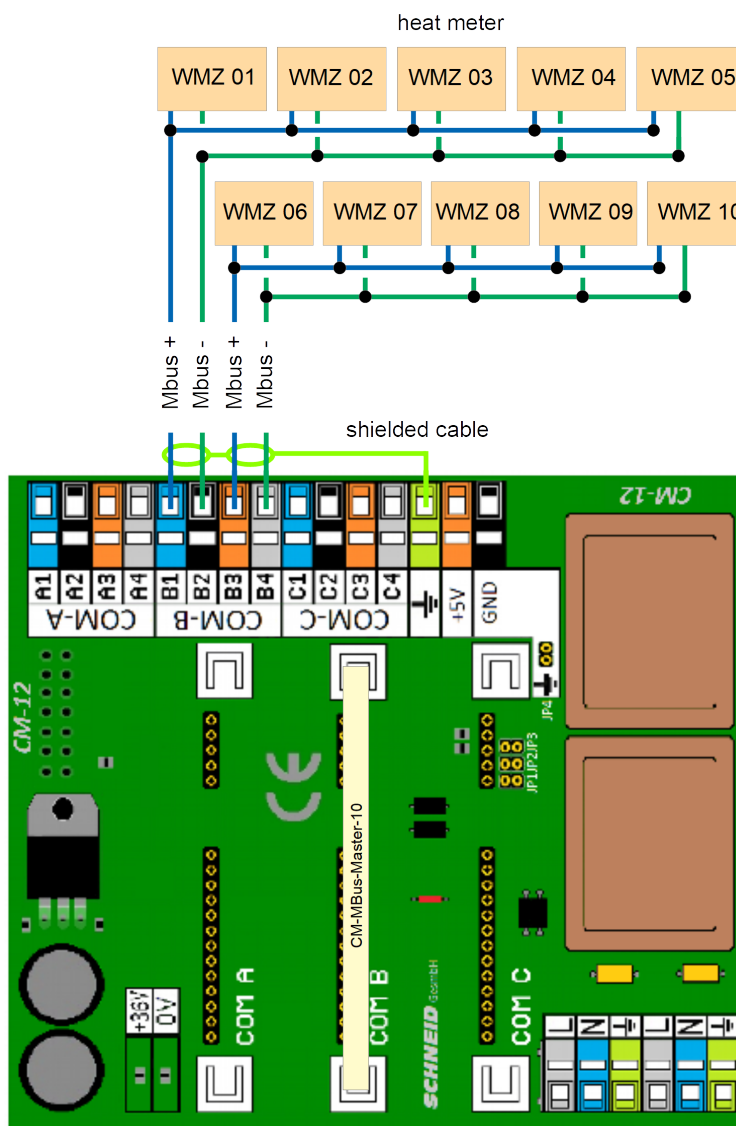
## Connection diagram:

The terminal assignment refers to the respective slot.

COM-A	Clamps A1-A4
COM-B	Clamps B1-B4
COM-C	Clamps C1-C4

## Connection to terminals:

1	Mbus+
2	Mbus-
3	Mbus+
4	Mbus-



# **Plug-in card module CM-MBus-Master**

## **Scope of delivery:**

SCHNEID plug-in card module CM-MBM

## **Technical specifications:**

Intrastat Number	8537.10.91.99
Country of origin	EU/AT
Height, width, depth (in mm)	32x65x6
Weight (in kg)	0,006
Degree of protection	IP-00
Ambient temperature	0°C....+40°C
Operating voltage	5VDC + 36VDC
Power consumption	5mA @5V // 15mA @36VDC
Max baud rate	19200 Bit/s
Connection type	Pin headers for base module
Mounting type	Plug-in card module
Operating time	Continuous operation
Degree of pollution	2