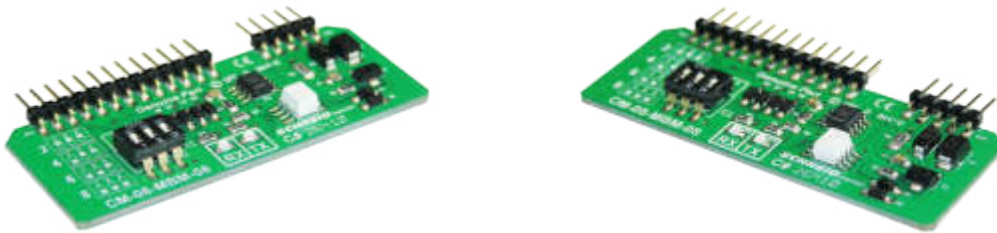


Plug-in card module CM08-MBM-08

SCHNEID Plug-in card module CM08-MBM-08 (Mbus-Master 08)

for SCHNEID-Communication base modules

Order number:	130.13559
Order code:	Steckkartenmodul CM08-MBM-08

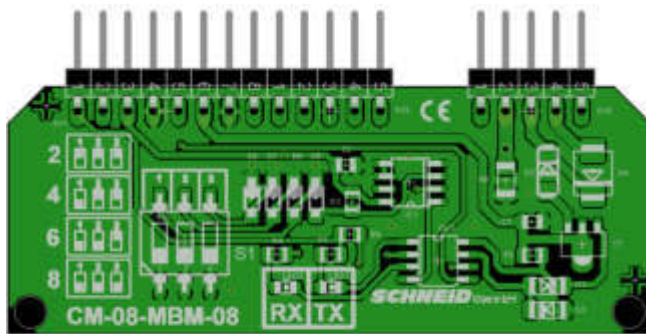


Overview:

The SCHNEID plug-in card module-CM08-MBM-08 is only suitable for the SCHNEID communication basic modules of the module control series.

With this module card, the control device represents an Mbus master in an Mbus data network and can thus read, for example, heat meters or other Mbus slave devices.

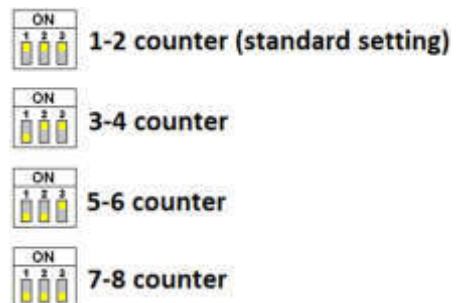
The maximum number of slave devices is eight. This requires setting the number. It is a baud rate up to max. 9600 baud possible.



Dipswitch S1 settings

- "2" = up to max. 2 counter (standard)
- "4" = up to max. 4 counter
- "6" = up to max. 6 counter
- "8" = up to max. 8 counter

Steady RX LED (green) means overload on the MBUS or too low setting of the counter number of S1.



Plug-in card module CM08-MBM-08

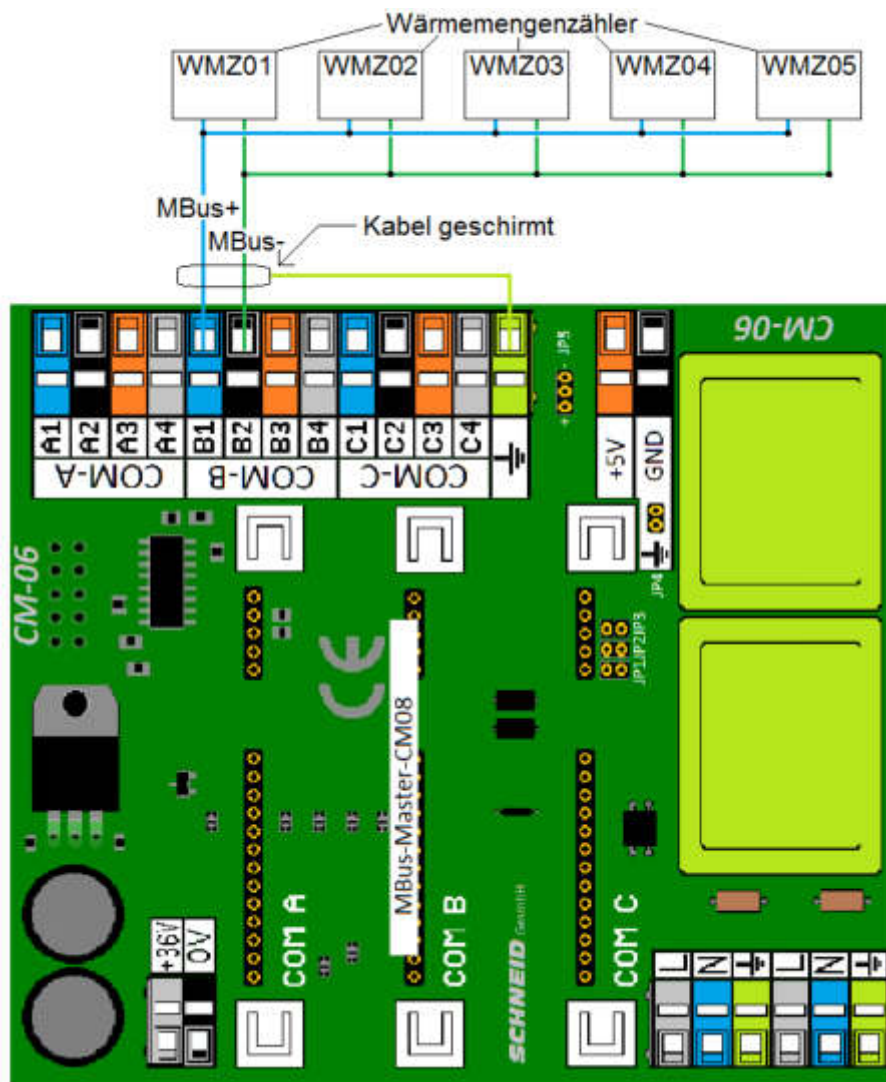
Connection diagram:

The terminal assignment refers to the respective slot.

COM-A	Clamps A1-A4
COM-B	Clamps B1-B4
COM-C	Clamps C1-C4

Connection to terminals:

1	MBus+
2	MBus-
3	MBus+
4	MBus-



Plug-in card module CM08-MBM-08

Scope of delivery:

SCHNEID plug-in card module CM08-MBM-08

Technical specifications:

Intrastat Number	8537.10.91.90
Country of origin	EU/AT
Height, width, depth (in mm)	32x65x7
Weight (in kg)	0,008
Degree of protection	IP-00
Ambient temperature	0°C....+40°C
Operating voltage	5VDC + 36VDC
Power consumption	5mA @5V // 15mA @36VDC
Max baud rate	19200 Bit/s
Connection type	Pin headers for base module
Mounting type	Plug-in card module
Operating time	Continuous operation
Degree of pollution	2