

Plug-in card module CM-422



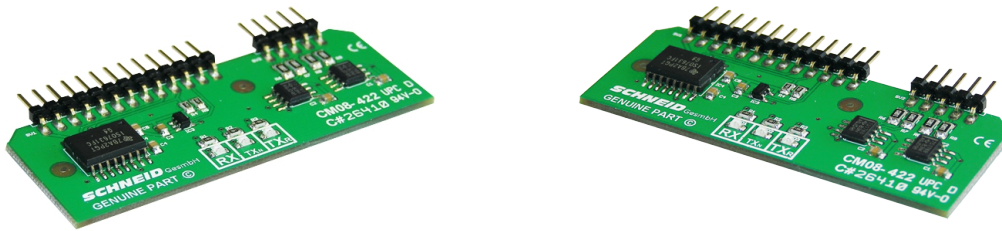
Schneid GesmbH | Gewerbering 16 | A-8054 | Graz/Pirka | Tel: +43 (316) 285022

Products, data sheets, documentation, MR12-SCHEMA-calculator: www.schneid.at

SCHNEID Plug-in card module CM-422

for SCHNEID-Communication base modules

Order number:	130.13975
Order code:	Steckkartenmodul CM-422



Overview:

The SCHNEID plug-in card module CM-422 is only suitable for the SCHNEID communication basic modules of the module control series.

With this plug-in module card, the control device can be integrated into an RS422 data network.
Maximum baud rate 115200

Connection diagram:

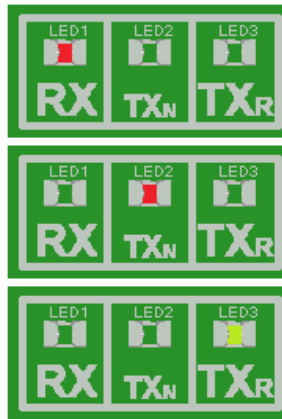
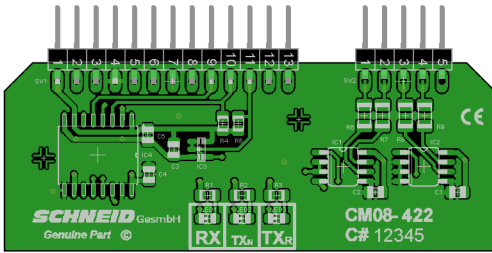
The terminal assignment refers to the respective slot.

COM-A	Clamps A1-A4
COM-B	Clamps B1-B4
COM-C	Clamps C1-C4

Connection to terminals:

1	TX+
2	TX-
3	RX+
4	RX-

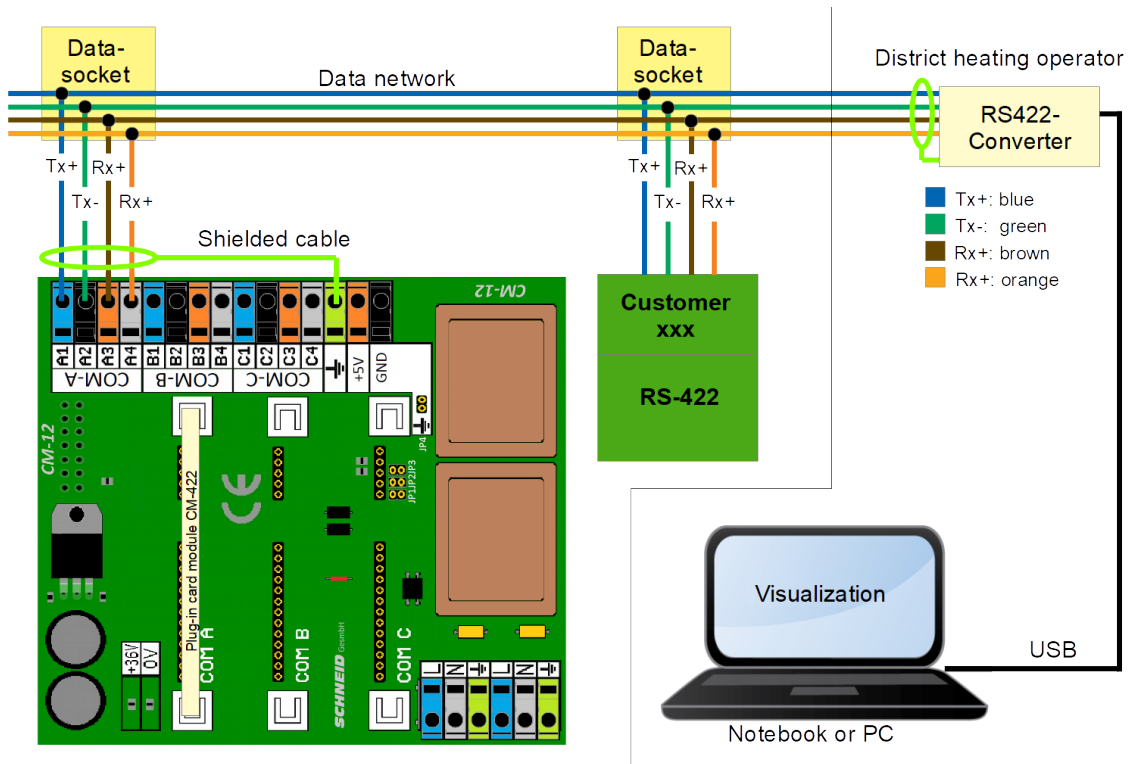
Plug-in card module CM-422



Polling from PC

Answer from other controllers in the data-network

Answer from this regulator (regulator with this plug-in-module)



Plug-in card module CM-422

Scope of delivery:

SCHNEID plug-in card module CM-422

Technical specifications:

Intrastat Number	8537.10.91.90
Country of origin	EU/AT
Height, width, depth (in mm)	32x65x6
Weight in (in kg)	0,008
Degree of protection	IP-00
Ambient temperature	0°C....+40°C
Operating voltage	5VDC
Power consumption	25mA
Max baud rate	115200 Bit/s
Connection type	Pin headers for base module
Mounting type	Plug-in card module
Operating time	Continuous operation
Degree of pollution	2