

Signal converter PWM to analog

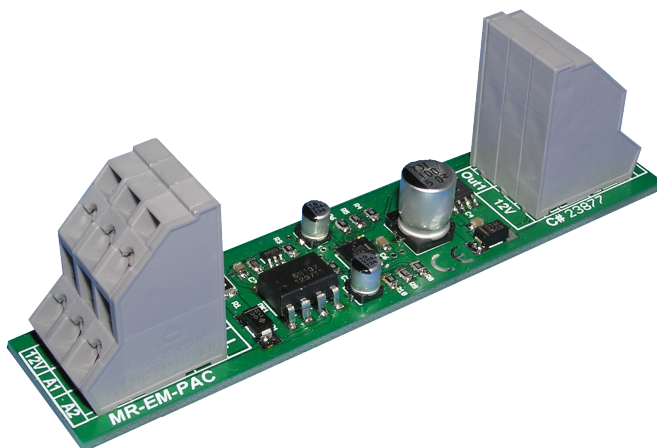


Schneid GesmbH | Gewerbering 16 | A-8054 | Graz/Pirka | Tel: +43 (316) 285022

Products, data sheets, documentation, MR12-SCHEMA-calculator: www.schneid.at

Expansion module PAC - PWM to analog converter

Order number:	300.14533
Order code:	Signalkonverter PWM zu analog



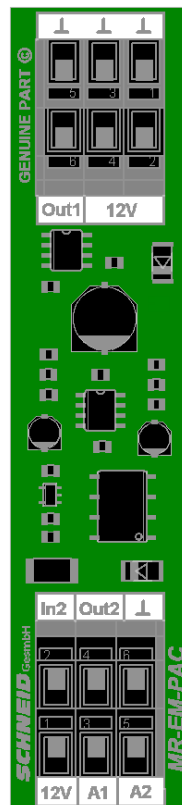
Overview:

The module consists of a signal converter PWM to 0-10V. It also has a signal amplifier that amplifies signals from 0-5V to 0-10V.

The external PWM signal is fed in via terminals A1-A2. Voltages of 5-24VDC are possible for this. The inputs A1-A2 are optically galvanically isolated.

If the PWM signal is generated by a semiconductor or an optocoupler like on the HK-07, an auxiliary voltage is required. This can be taken from the 12V terminal. All terminals labeled 12V are connected to each other.

Circuit examples are on the following page.



12V Supply 12V
⊥ GND

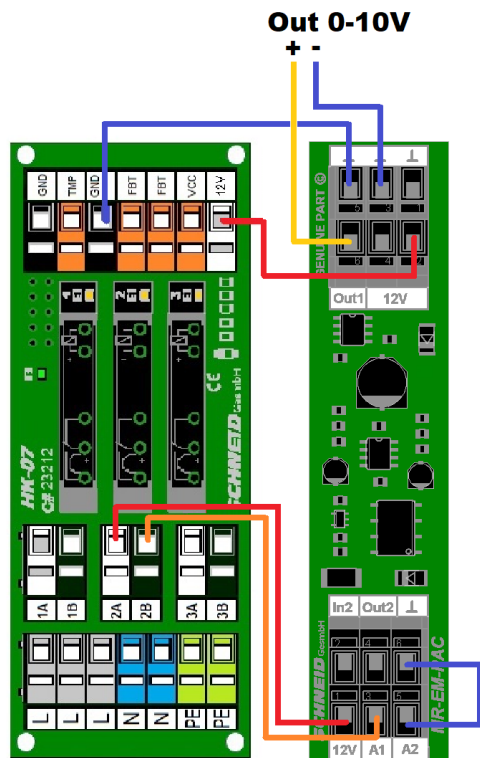
PWM to analog converter
A1 PWM input + (5-24V)
A2 PWM input -
Out1 0-10V output

signal amplifier
In2 Input 0-5V
Out2 Output 0-10V

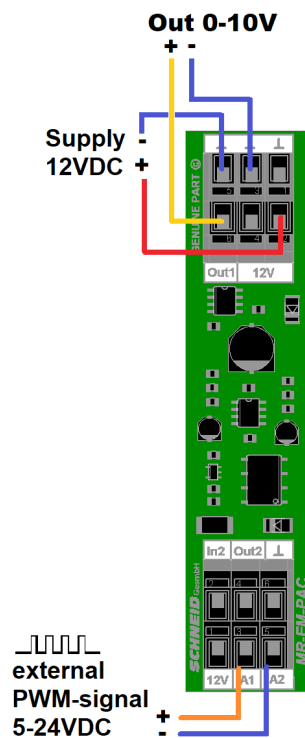
Signal converter PWM to analog

Examples of use:

Circuit examples:
HK-07 and Dout-2



external PWM Signal



Scope of delivery:

SCHNEID signal converter PWM to analog

Technical specifications:

Intrastat Number	8537.10.91.90
Country of origin	EU/AT
Height, width, depth (in mm)	10x22x30mm
Weight (in kg)	0,025kg
Degree of protection	IP00
Ambient temperature	0°C - 40°C
Supply voltage	12VDC bis max. 24VDC
Power consumption	5mA