

MR12 basic terminal board (AKP)

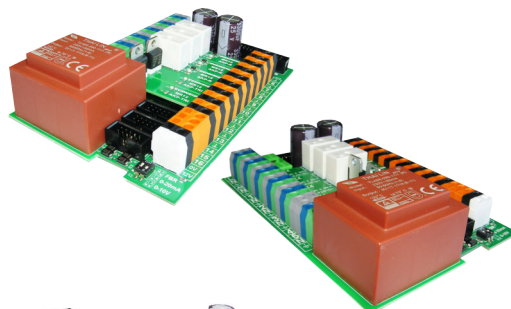
Equipment variants:

- The outputs on the REL board, which is now called "AKP" (terminal board), are designed on plug-in modules and are available in the following variants:

MR12 basic terminal board AKP without plug-in modules

Order number: 190.15231

Order code: MR12 Basis-Anklemmplatine AKP



MR12 basic terminal board AKP with 5 plug-in modules STD

bestückt mit 5 Steckmodulen Relais STD

Order number: 190.15212

Order code: MR12 Basis-Anklemmplatine AKP + 5 Steckmodule

MR12 basic terminal board AKP 115VAC

bestückt mit 5 Steckmodulen Relais STD, für US-Netze

Order number: 190.15633

Order code: MR12 Basis-Anklemmplatine AKP 115VAC



Standard relay plug-in module

Order number: 190.15206

Order code: MR12 Steckmodul Relais Standard

Relay plug-in module R16

Order number: 190.16614

Order code: MR12 Steckmodul Relais R16

Relay plug-in module PWM

Order number: 190.15209

Order code: MR12 Steckmodul PWM für MR12-AKP & HK12

Relay plug-in module TRIAC

Order number: 190.15210

Order code: MR12 Steckmodul TRIAC für MR12-AKP & HK12

Relay plug-in module 0-10V

Order number: 190.15300

Order code: MR12 Steckmodul Analogsignal für MR12-AKP & HK12

Relay plug-in module RPF

Order number : 190.15404

Order code: MR12 Steckmodul Relais RPF für MR12-AKP & HK12



Supply 230 VAC L
Supply 230 VAC N
Protective conductor PE

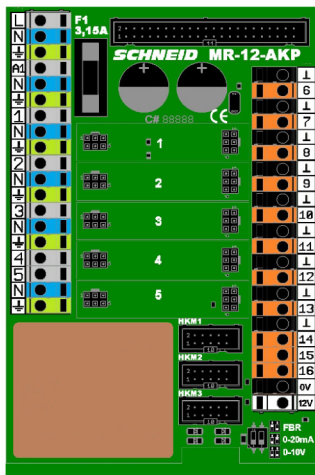
230 VAC output for heating circuit modules L
230 VAC output for heating circuit modules N
Protective conductor PE

P1 heating circuit 0 pump L
P1 heating circuit 0 pump N

P2 boiler 1 pump L
P2 boiler 1 pump N

P3 boiler 2 pump L
P3 boiler 2 pump N

M45 district heating valve OPEN L
M45 district heating valve CLOSED L
M45 district heating valve N



Temperatures PT1000
(2-pole shielded)

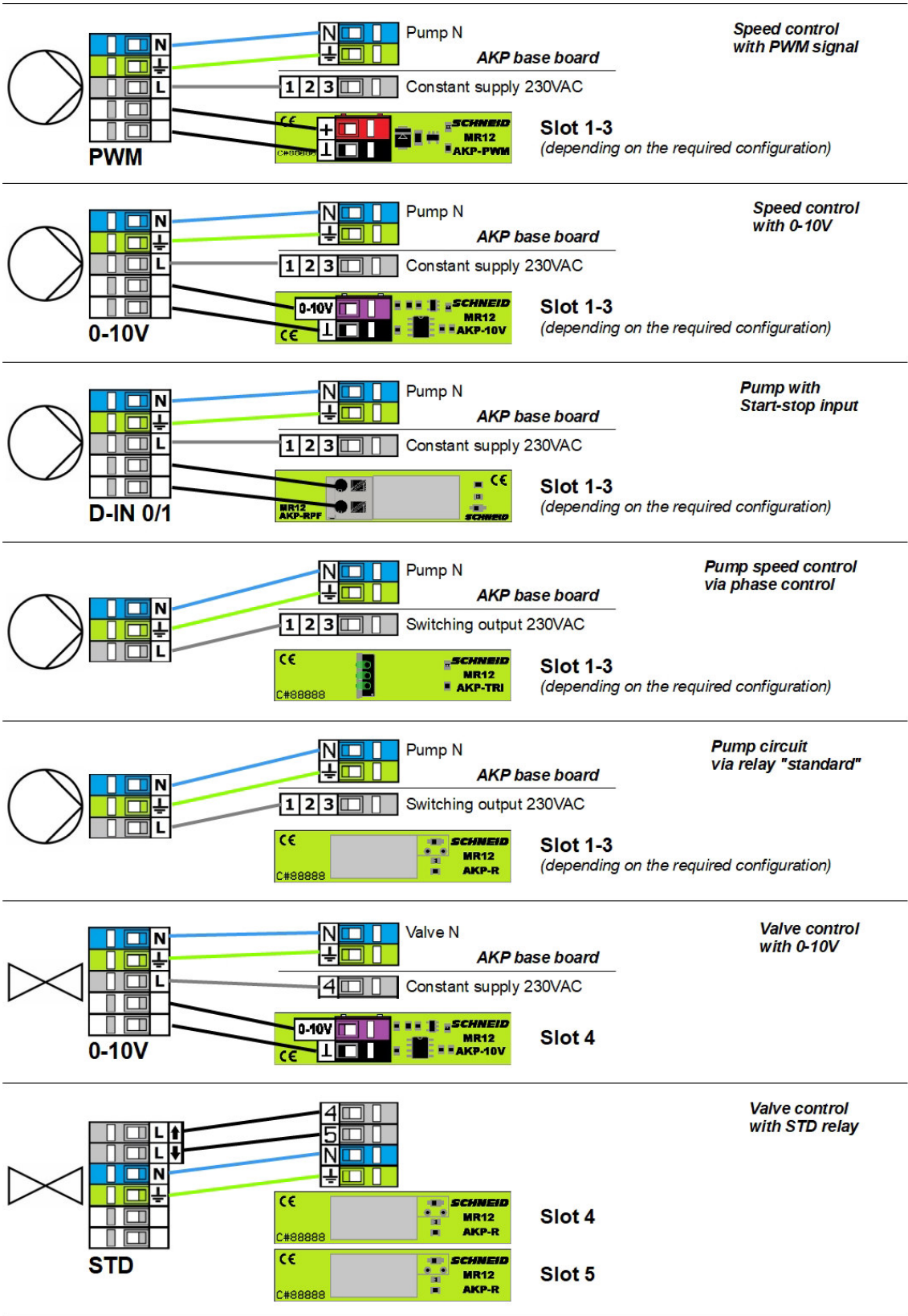
GND
Terminal 6: T6 outside temperature
GND
Terminal 7: T7 return temperature primary
GND
Terminal 8: T8 secondary flow temperature
GND
Terminal 9: T9 boiler 1 temperature above
GND
Terminal 10: T10 boiler 1 temperature below
GND
Terminal 11: T11 return temperature secondary
GND
Terminal 12: T12 boiler 2 temperature above
GND
Terminal 13: T13 Boiler 2 temperature below
GND room remote control circuit 0
Terminal 14: FBT room temperature circuit 0
Terminal 15: FBS remote control signal
Terminal 16: VCC remote control supply

12VDC output (for e.g. SCHNEIDER radio modules)
maximum load: 500mA

FBR
0-20mA
0-10V

MR12 basic terminal board (AKP)

Terminal plan:



MR12 basic terminal board (AKP)

Supply 115 VAC L
Supply 115 VAC N
Protective conductor PE

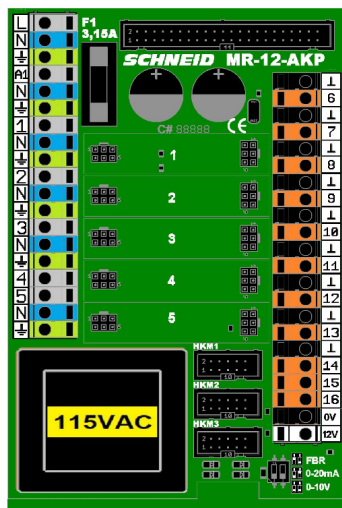
115 VAC output for heating circuit modules L
115 VAC output for heating circuit modules N
Protective conductor PE

P1 heating circuit 0 pump L
P1 heating circuit 0 pump N

P2 boiler 1 pump L
P2 boiler 1 pump N

P3 boiler 2 pump L
P3 boiler 2 pump N

M45 district heating valve OPEN L
M45 district heating valve CLOSED L
M45 district heating valve N



Temperatures PT1000
(2-pole shielded)

GND
Terminal 6: T6 outside temperature
GND
Terminal 7: T7 return temperature primary
GND
Terminal 8: T8 secondary flow temperature
GND
Terminal 9: T9 boiler 1 temperature above
GND
Terminal 10: T10 boiler 1 temperature below
GND
Terminal 11: T11 return temperature secondary
GND
Terminal 12: T12 boiler 2 temperature above
GND
Terminal 13: T13 Boiler 2 temperature below
GND room remote control circuit 0
Terminal 14: FBT room temperature circuit 0
Terminal 15: FBS remote control signal
Terminal 16: VCC remote control supply

12VDC output (for e.g. SCHNEID radio modules)
maximum load: 500mA

FBR
0-20mA
0-10V

Scope of delivery:

SCHNEID MR12 basic terminal board AKP xxx

Technical data MR12 basic board AKP:

Intrastat Number:	8537.10.91.90
Country of origin	EU/AT
Height, width, depth (in mm)	AKP with 5 standard relays: 100x145x36
Weight (in kg)	0,490
Degree of protection	IP-20
Ambient temperature	0°C....+40°C
Operating voltage	230VAC (*115VAC for US-Netze)
Power consumption	Max. 10VA
Max. Rated current "A1"	3,15A
Max. Total nominal current	3,15A
Max. Nominal current per output	2A continuous current // max. 15A inrush current
Relay output life	50 x 10 ³ switching cycles
Connection type	Fixed wiring terminals
Connection technology	Spring clamp
Cable cross section	Max. 2.5mm ²
Mounting type	DIN-RAIL TS35
Operating time	Continuous operation
Degree of pollution	2
Rated impulse voltage	1kV
Sensor type temperature sensor	PT1000