

# Polycarbonate housing for repeater CM10-R



Schneid GesmbH | Gewerbering 16 | A-8054 | Graz/Pirka | Tel: +43 (316) 285022

Products, data sheets, documentation, MR12-SCHEMA-calculator: [www.schneid.at](http://www.schneid.at)

## SCHNEID Polycarbonate housing for repeater CM10-R for outdoor use

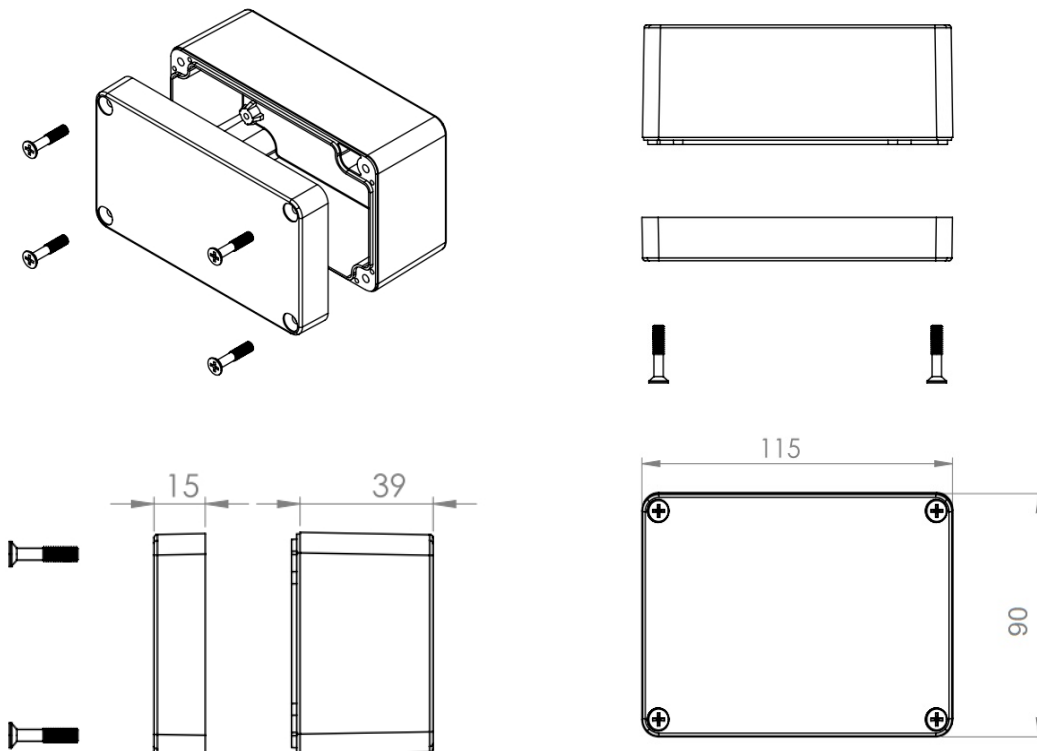
Order number: 400.15274

Order code: Kunststoffgehäuse für Repeater CM10-R



### Overview:

Polycarbonate housing made of polycarbonate for outdoor wall mounting, protected against water and dust. Lid screws are self-locking upon initial assembly.



# **Polycarbonate housing for repeater CM10-R**

## **Scope of delivery:**

SCHNEID Polycarbonate housing for repeater CM10-R

## **Technical specifications:**

Intrastat Nummer:	9403.10.93.00
Country of origin	no preferential origin
Height, width, depth (in mm)	115x90x54
Weight (in kg)	0,140
Degree of protection	IP65
mounting type	wall mounting
Temperature range under normal conditions	-40° C / +130° C
UL flammability rate	UL-94HB