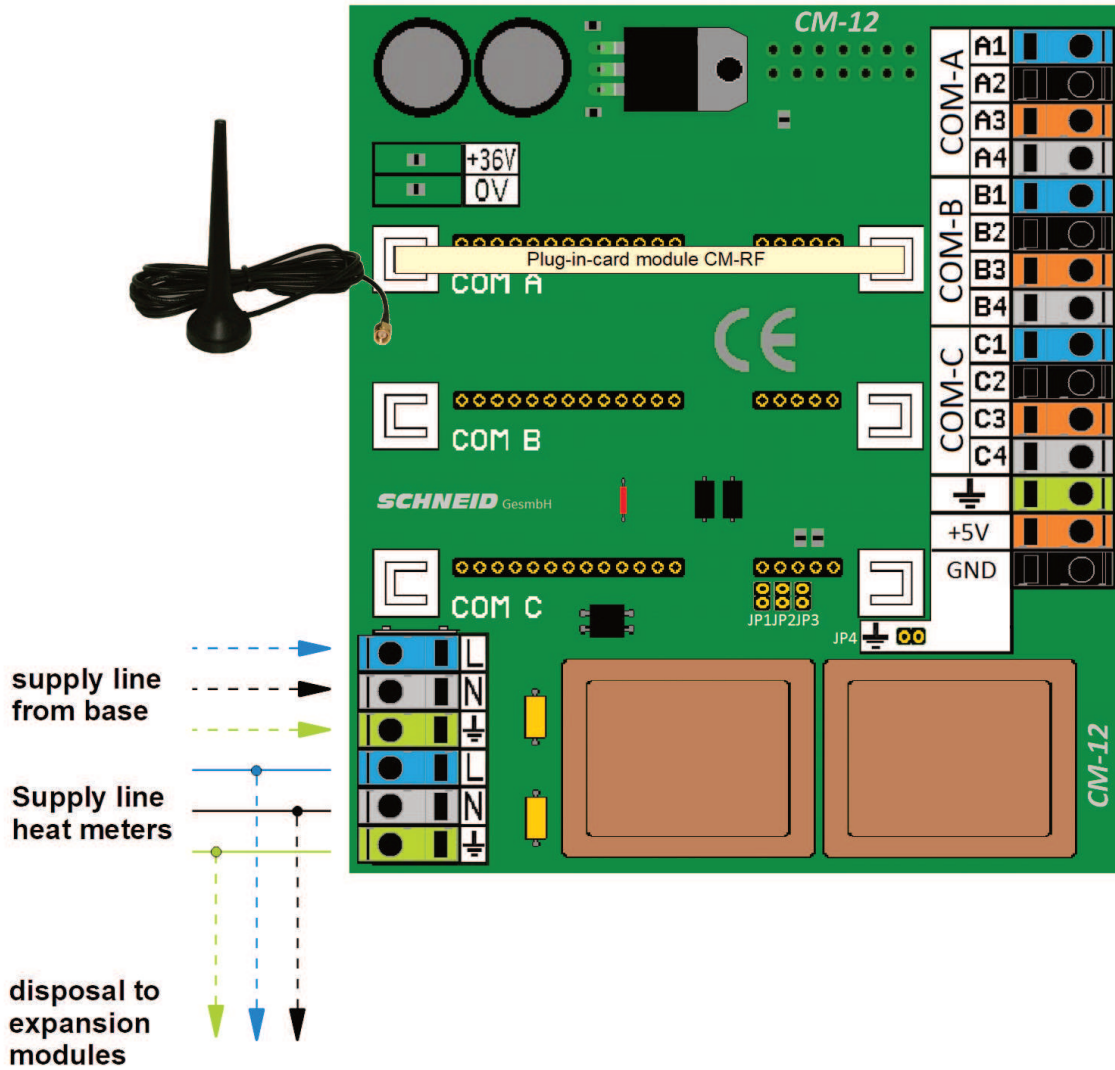


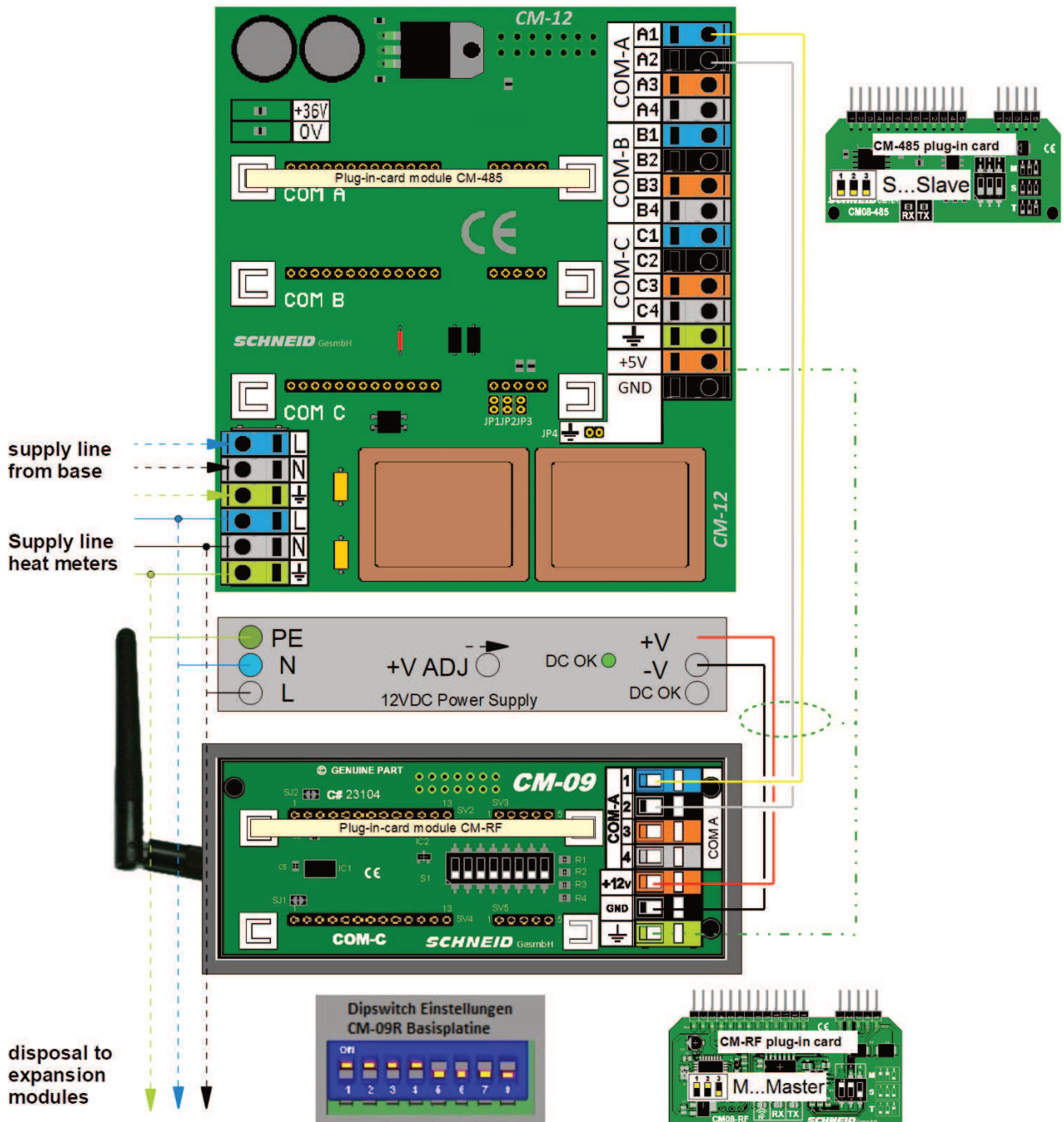
# Plug-in card modules CM-RF

## Terminal plan RF module on COM board



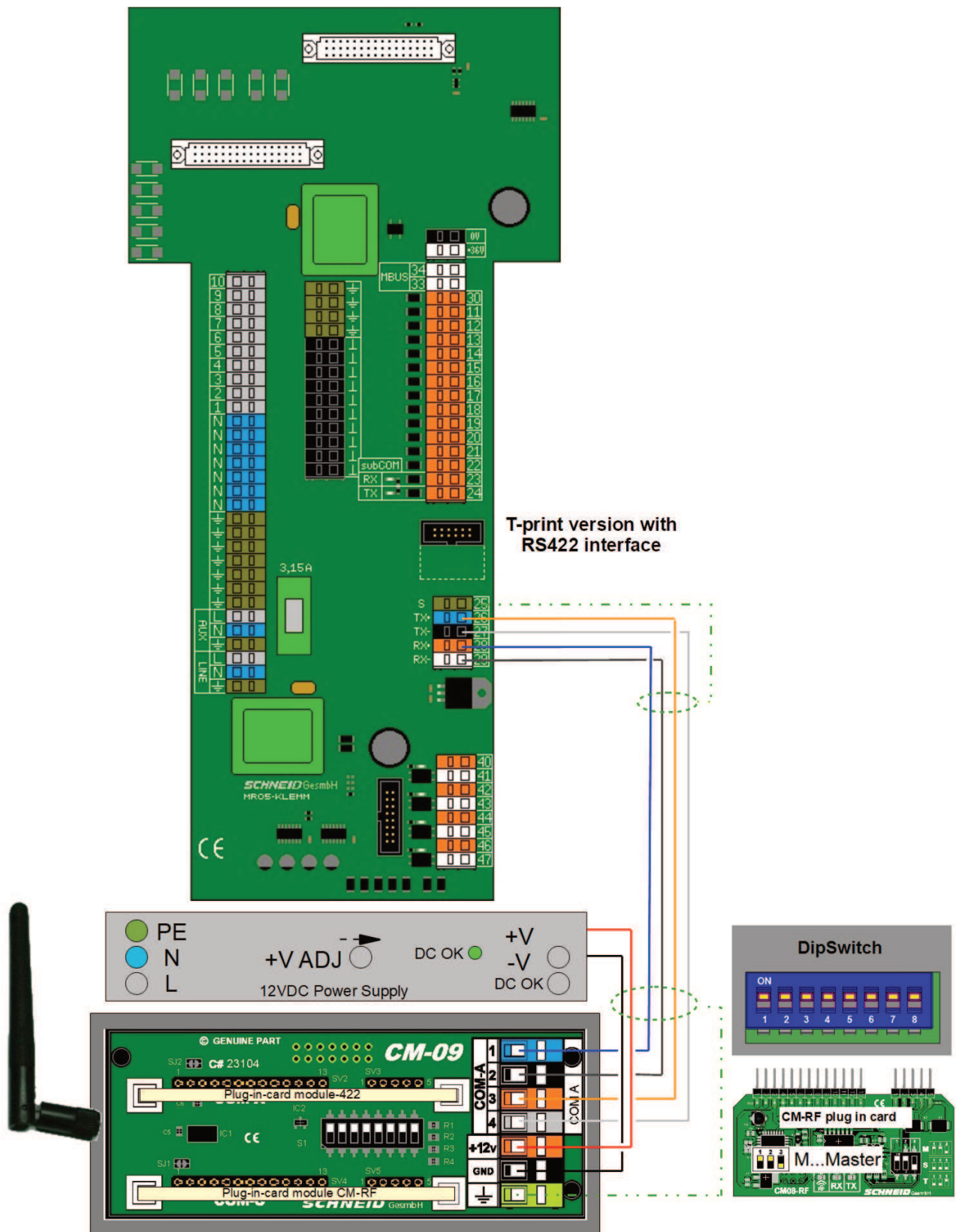
# Plug-in card modules CM-RF

Terminal plan RF module with outdoor unit via RS485 connection



# Plug-in card modules CM-RF

Terminal plan RF module with outdoor unit via RS422 connection



# Plug-in card modules CM-RF

Terminal plan RF module with sub-communication to other controllers

