

Remote control SCHNEID-FBR6

Remote control FBR6 with room sensor

for module regulator series MR06, MR07, MR08, MR12

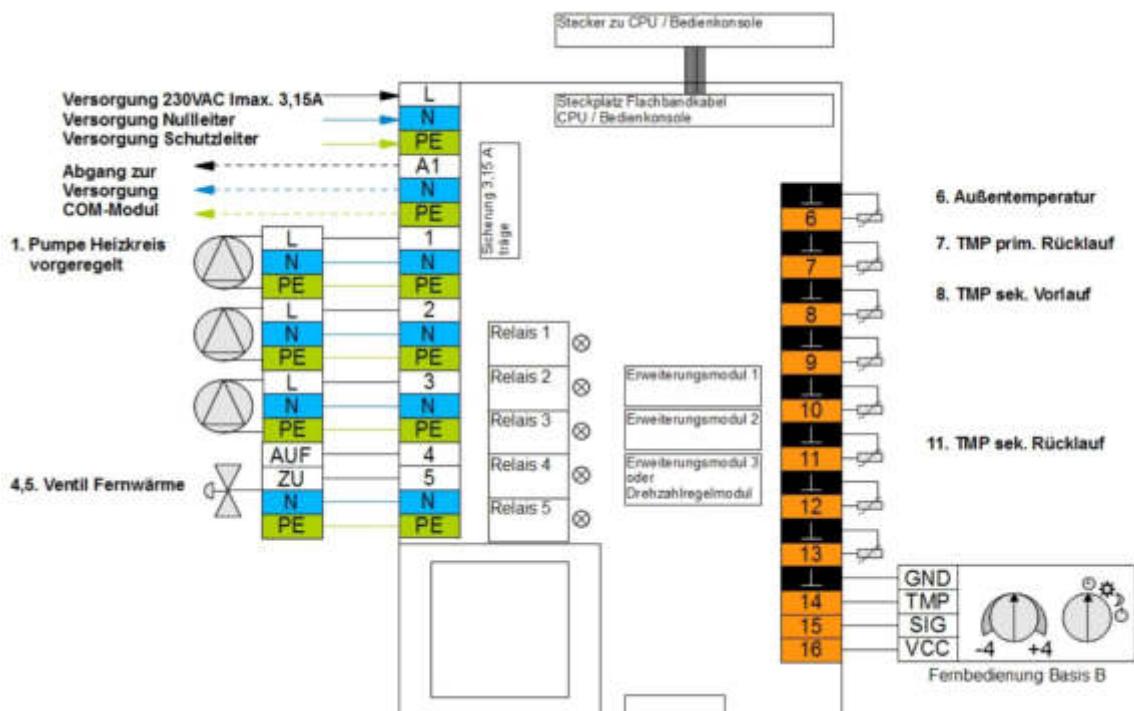
Order number:	120.09577
Order code:	Fernbedienung FBR6 SCHNEID mit Raumfühler



Overview

The remote control FBR3 is compatible with the SCHNEID- MR06/07/08/12 control units. An OFF / DAY / NIGHT / AUTOMATIC preselection switch is provided for preselecting the operating mode. A setting potentiometer with a range of plus / minus four degrees is available to change the target room temperature. A room sensor is installed in the remote control, which can be used to use various heating control programs and to optimize the SCHNEID control unit.

Connection diagram

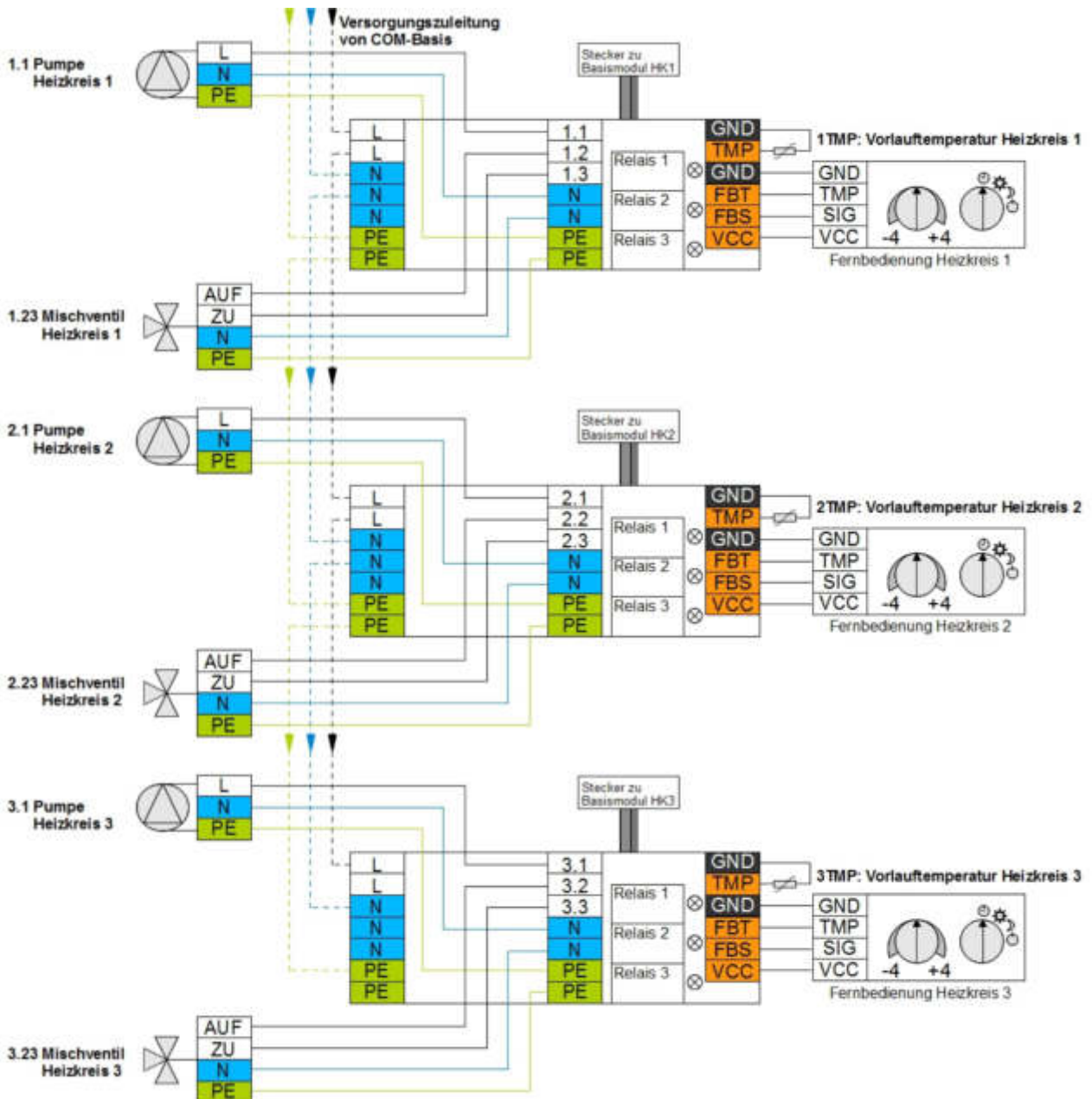


Remote control SCHNEID-FBR6

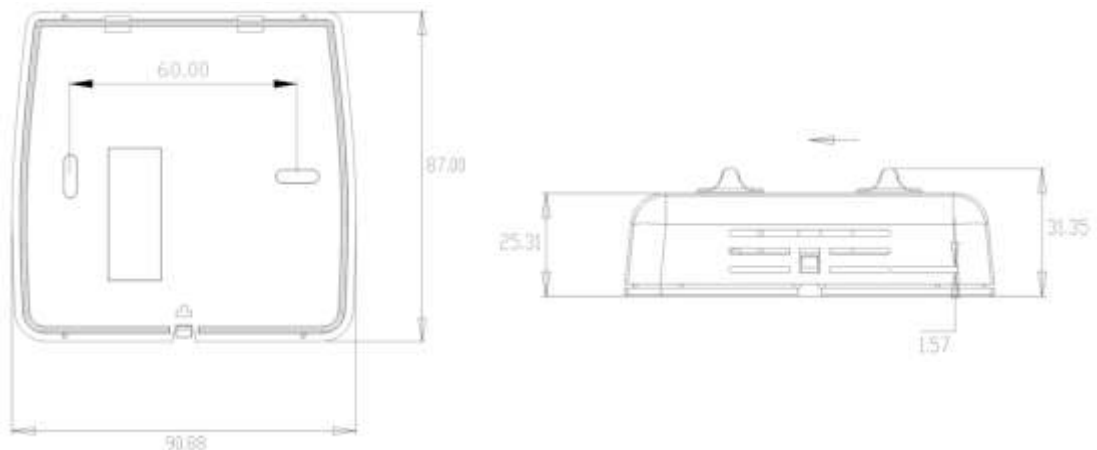
SCHNEID

Modern Life - Modern Solutions

www.schneid.at DE



Technical specifications:



Remote control SCHNEID-FBR6

Scope of delivery:

Remote control FBR6 SCHNEID wit room sensor

Technical specifications:

Intrastat number	8537.10.91.90
Country of origin	EU/AT
height, width, depth	87x91x31
weight (in grams)	0,079
protection	IP-20
ambient temperature	0-40°C
supply voltage	5VDC
current consumption	5mA
Tolerance of the measured and displayed room temperature	+/- 0,7°C

Spare parts FBR3:

Knob Poti for FBR3/6

Order number: 120.15930

Order code: Drehknopf Poti für FBR3/6

Knob switch for FBR3/6

Order number: 120.15931

Order code: Drehknopf Schalter für FBR3/6

