



***FBR-12 / FBR-14***  
***Remote control***  
***with color touch screen and room sensor***

***Modern Life - Modern Solutions***



Schneid GesmbH | Gewerbering 16 | A-8054 | Graz/Pirka | Tel: +43 (316) 285022

Products, data sheets, documentation, MR12-SCHEMA-calculator: [www.schneid.at](http://www.schneid.at)

## Remote control FBR-12 / FBR-14



Schneid GesmbH | Gewerbering 16 | A-8054 | Graz/Pirka | Tel: +43 (316) 285022

Products, data sheets, documentation, MR12-SCHEMA-calculator: [www.schneid.at](http://www.schneid.at)

**SCHNEID Remote control FBR12/14** with color touch screen and room sensor for module regulators series MR12 and series MR08 (only FBR12) with CM08 com.-base

<b>Order number:</b>	<b>120.xxxxx</b>
<b>Order code:</b>	<b>Fernbedienung FBR12-xxxx oder Fernbedienung FBR14-xxxx</b>



### Overview

The SCHNEID-FBR12/FBR14 remote control is compatible with the module controller series MR12 (direct connection to the control panel) and the FBR12 with the CM08-based module controller series MR08 (connection via the com-base). The software controller version on the MR08 must be 8.19 or higher, with the MR12 version 12.00R28 or higher.

With the MR12 it is possible to connect one FBR12/14 per heating circuit directly to the control panel (see description of the SCHNEID-MR12 module controller).

The color touchscreen control panel always displays the time, the current outdoor and room temperature, the storage tank temperature, the setpoint adjustment and the operating status. The display shows: Automatic / Day, Automatic / Night, Automatic / OFF or one of the 5 dialing programs, which can be set at the bottom of the display (automatic, day, night, party and OFF). The two arrow keys are used to change the current room temperature by  $-4^{\circ}\text{C}$  to  $+4^{\circ}\text{C}$ . A room sensor is installed in the remote control, which can be used to apply various heating control programs and to optimize the SCHNEID control unit.

When the function keys on the display are touched, the backlight turns on, and off again after 30 seconds from the last operation.

# Remote control FBR-12 / FBR-14

- There are **16 million different display background colors and foreground colors** to choose from.
- Available in **5 different frame colors** white, black, chrome, red, blue.
- (The frames can be easily exchanged if necessary.)

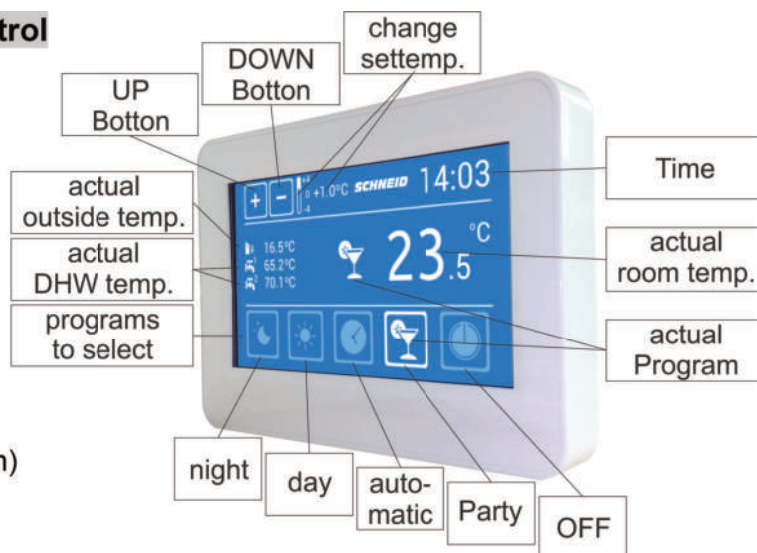
## Communication with the remote control

to read of:

- actual room temperature
- actual outside temperature
- actual storage temperature(s)
- actual time
- actual conditions
- Standard value (-4,0°C bis +4,0°C)
- Room temperature adjustment

adjustment :

- Time (in HH:MM)
- current conditions (election program)
- Set point (-4,0°C bis +4,0°C)
- Room temperature adjustment
- Absences time



## Set point adjustment

Pressing the "Plus" or "Minus" key in the main screen will enter the setting mode. Each touch of the "plus" button increases by + 0.1 ° C to a maximum of + 4.0 ° C, each touch of the "minus" button decreases by -0.1 ° C to a maximum of -4.0 ° C. The screen returns to the main menu 3 seconds after the last touch.

## Election programs

### Automatic mode

The operating mode of the heating circuits (heating or lowering operation) depends on the time program. The display always shows automatic and day, night or off.

### Day

The heating circuits are in heating mode, regardless of the time program.

### Night

The heating circuits are independent of the time program in the lowering mode, i. The setpoint temperature is reduced accordingly to the settings on the main control unit.

### Party-Mode

The heating circuits are put into heating mode for a period of 2 hours (depending on the setting in the main control unit). After the time has elapsed, the controller returns to the last mode selected.

### OFF / antifreeze

The control mode is deactivated except for the frost protection circuit. If the outside temperature falls below the frost protection temperature, the frost protection circuit is activated.

# Remote control FBR-12 / FBR-14

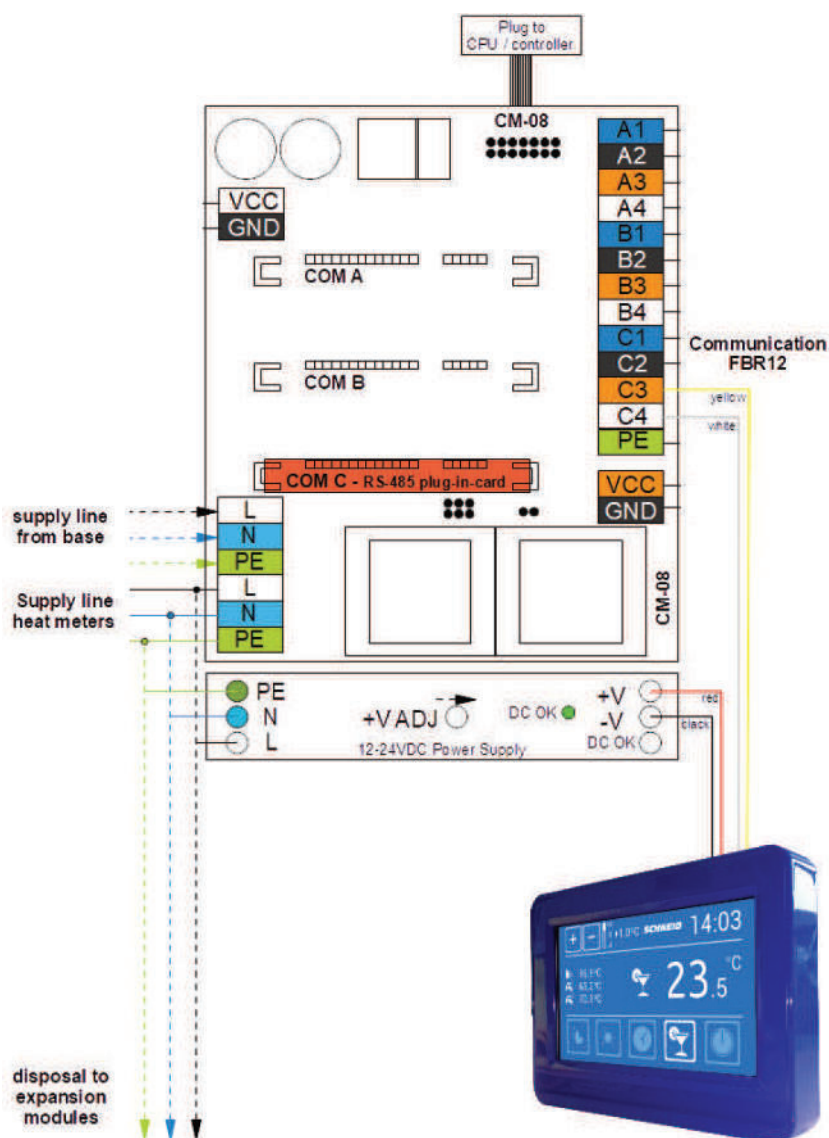
## Connection diagram & Setup for the module controller SCHNEID-MR08

### ID setting on the MR08 controller

- By simultaneously pressing the "plus" and "minus" buttons for 5 seconds, you can enter the Setup menu
- under the menu item "Service code", enter 1234 and confirm
- the following settings must be made under the menu item "Communication": P079 Read the baud rate ComC and note it for the setting of the FBR12.  
(if necessary set to the optimum value 4800baud)
- the following settings must be made under the menu item per heating circuit "x":  
under the menu item "Expert settings", the setting "Remote control per bus" must be set to "YES"

### Settings on the RS485 plug-in card

- For an MR08 controller, the card is jumpered to the "Master" setting
- If several controllers are subcommunicated, only one card must be configured to "Master"



# Remote control FBR-12 / FBR-14

## Connection diagram & Setup for the module controller SCHNEID-MR12

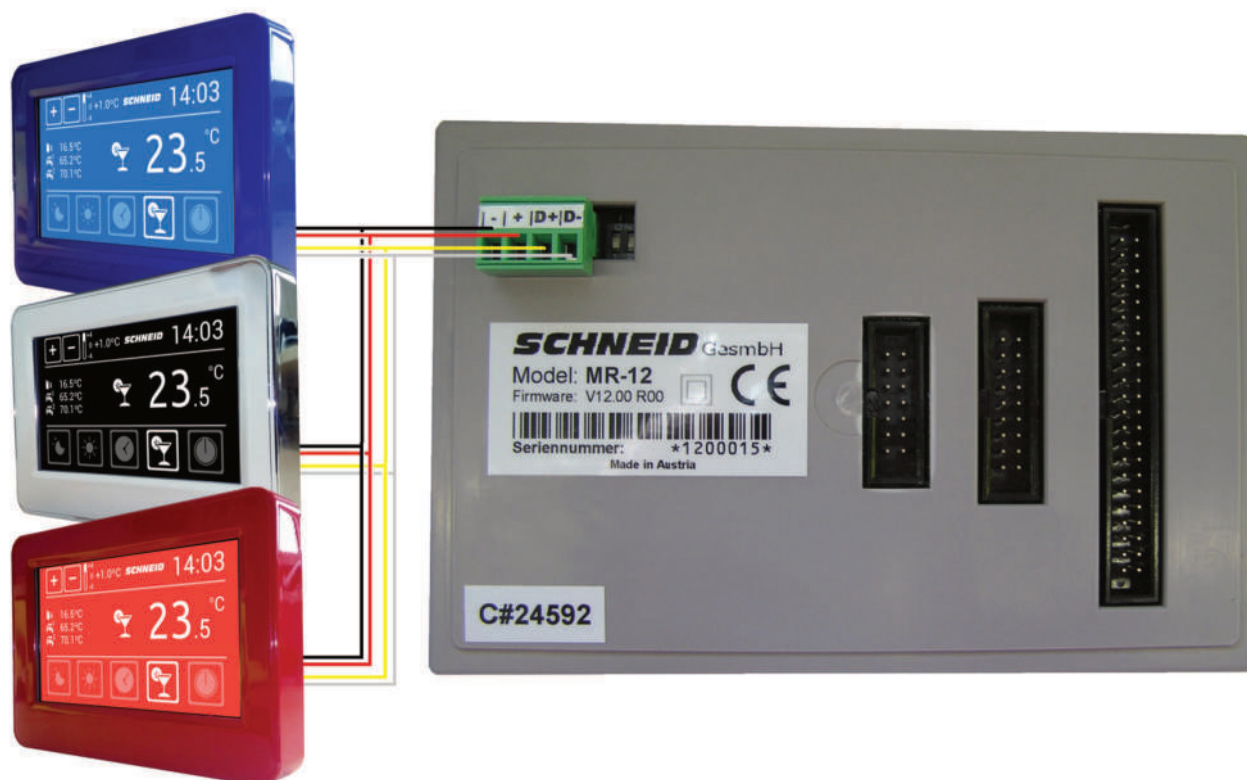
### 4. UART interface (COM-D) in the form of RS485.

Executed on the back with 4-pole plug (12V +/- RS485 D + / D-).

Used for the direct connection of a digital SCHNEID FBR12 per heating circuit.

### ID setting on the MR12 controller

- The SCHNEID-MR12 module controller finds the remote control automatically.
- The baud rate is set at the factory to a standard value of 4800.



# Remote control FBR-12 / FBR-14

## Configuration / ID-settings on the FBR12

### MENU

Pressing the SCHNEID logo will take you to the menu.



Settings	
screen brightness	Adjustment of the brightness of the display
Screensavers	Adjustment of the brightness of the screen saver.  Screensaver .. Display goes to screensaver mode after 30 seconds.  <b>Only with the FBR14:</b> <b>Off</b> .. Always display one. <b>Darken</b> .. Display is dimmed after 30 seconds. <b>Period</b> .. Screen is on from Start time to End time, outside of the period the display is turned off.
Volume	Adjustment of the volume of the key tones.



Background	
	The colors for the foreground and background are set here. You can choose from the 16 predefined colors, or choose your own color using RGB code.



Vacation time	
	For the configuration of vacation times

Heating times	
	The heating times can be set under this menu item.

Save	
	To save, press and hold this button for 4 seconds.

Abort	
	aborts the process without changing the settings

# Remote control FBR-12 / FBR-14

## EXPERT SETTINGS

By pressing the room temperature for 5 seconds you get into the expert settings.

### Baudrate

The baud rate must match the settings of the controller on COM-C.

### Temperature offset

serves to adjust the room temperature.

### FBR ID

the ID must match the address of the heating circuit (eg: heating circuit 0 = address 0).

### CM06 Delay

the ID must match the address of the heating circuit (eg: heating circuit 0 = address 0).

For multiple MR08 subcommunicators, the setting is as follows:

Controller "Master" -> Address 00 to 07 / Controller 1 -> Address 10 to 17 / Controller 2 -> Address 20 to 27 / Controller 3 -> Address 30 to 37 etc.



## CLEANING MODE

Pressing the clock for 5 seconds will enter the cleaning mode, which locks the FBR for 15 seconds and can be cleaned without accidentally adjusting the parameters.



## Software update

The FBR-12 or FBR-14 can be updated at any time by a software update. Go to [www.schneid.at/downloads/](http://www.schneid.at/downloads/) and download the latest FBR version to a 2gb SD card (if none is available, the SD card of the MR-12 can also be used). You must remove the FBR from its holder and insert the SD card into the SD card slot on the back. The update will then be carried out automatically on the next startup.

The "Firmware.bin" should be removed from the SD card after a successful update. Whether an update was successful, can be seen in the expert settings based on the version number. If an update does not work, make sure the SD card is formatted correctly (FAT, 32 kilobytes). Repeat the process if necessary.

The FBR-14 software can not be installed on a FBR-12 and may cause damage.

# Remote control FBR-12 / FBR-14

## WiFi – only with the FBR14

The FBR14 has a WiFi chip, that makes it possible to integrate the Remote control into the network. Through this chip, the FBR14 can be controlled with an APP in the network.



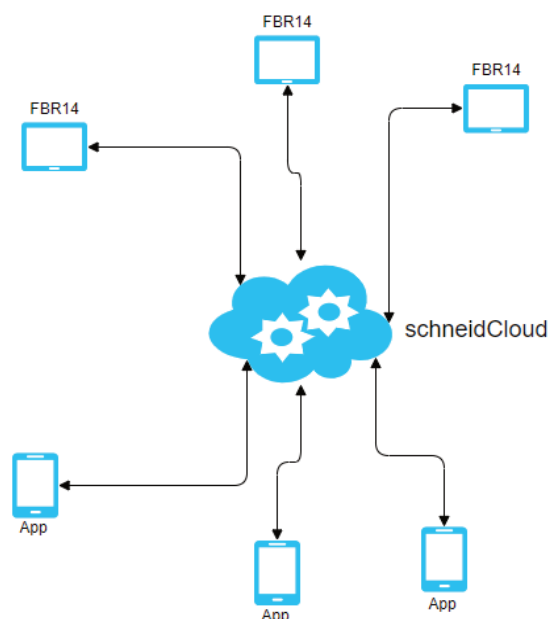
As soon as you press WiFi, the chip scans all the available WiFi in the surroundings. If your WiFi is not listed, press Cancel and reopen the WiFi window. Make sure your WiFi is within reach.

If the scan succeeds and your network is found, you can connect to the network. This is done by clicking on your network name. Then you only have to enter the password of your WiFi. If your WiFi is unsecured just press Connect.

You will hear a long beep, as soon as you are connected you should see the IP address of the remote control. In some cases, the FBR14 may restart during this process. Just wait 1 minute and try again. As soon as an IP address is displayed, this also means that the remote control is connected. The remote control stores your data, so you do not have to reconnect after a power outage.

Once you're connected to WiFi, you can control the remote with our SCHNEID FBR14 app on the network.

**The FBR14 can thus be controlled from anywhere, you do not need to be in your WLAN.**



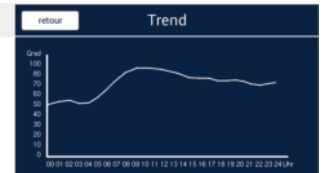


## schneidCloud – only FBR14

The Cloud window displays the Mac address and PIN for connecting to the FBR. The pin is a maximum of 10 characters and can be freely selected by you.

### Trending

The FBR14 has the possibility to log the outside temperature, the room temperature as well as logging the two boiler temperatures. This happens automatically and there are no settings to be done. If a sensor is not available, the line simply remains at 0.



Logged will be done every 15 minutes. The chart is then presented in 24 h and 30 days review. The scaling of the Y-axis automatically adapts to the values

#### Legend

The legend is in the upper right corner of the chart;

RT → Roomtemperature  
AT → Outsidetemperature  
BT1 → Boilertemperature 1  
BT2 → Boilertemperature 2

On the FBR14 rear side, a micro-SD can additionally be inserted for data backup. In this way, you will not lose all the trend values in the event of a power failure.

# Remote control FBR-12 / FBR-14

## FBR14 APP

### FBR App

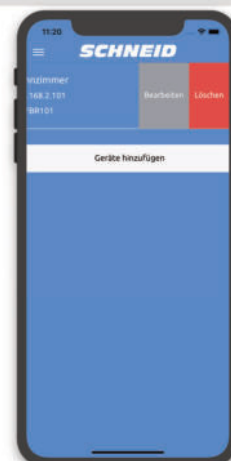
The FBR14 APP is available for iOS as well as for Android and can be downloaded from the respective store. The APP makes it possible to adjust the FBR with the smartphone.



## Add the FBR14

For adding, go to "Edit devices" in the menu and then "Add devices". Now enter the MAC of the FBR at the Mac address, which can be found on the FBR in the WiFi or Cloud menu. Enter your pin as a pin, you will also find it in the cloud menu. The name can be freely chosen by you.

By swiping left on a FBR, you can edit or delete them. The Edit can be useful if you want to give each remote control its own name.



# Remote control FBR-12 / FBR-14

## FBR serve

The following values are displayed on the APP:

### Outside temperature

The current outside temperature (display only).

### Mode

Current mode, with a click on the icon, the mode can be changed.

### Setpoint correction

With a click on the temperature a "+" and "-" button appears, where the setpoint can be adjusted. If the setpoint has been changed as desired, it is adjusted by clicking on the temperature again.

### Room temperature

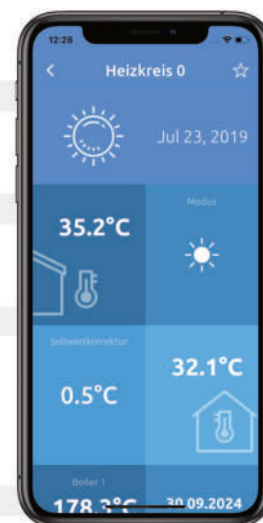
The current room temperature (display only).

### Boiler temperatures

The current boiler temps (display only).

### Vacation time

With a click on the date, a holiday period can be displayed.



### Heating times

By selecting a day of the week, a pop-up opens and the heating times can be changed. The heating times are only saved, if you confirm the parameters in the top right corner.

### Adjust parameters

As soon as a parameter has been changed, a small pop-up will appear below, which confirms whether the parameter has been set or not. It may take up to 10 seconds for the remote to accept the value.

To do this, refresh the page by swiping down.



# Remote control FBR-12 / FBR-14

## Overview models FBR12

**Order number :** 120.16478

**Order code :** Fernbedienung FBR12-black

SCHNEID-FBR12 with frame in the color black

**Order number :** 120.16480

**Order code :** Fernbedienung FBR12-blue

SCHNEID-FBR12 with frame in the color blue

**Order number :** 120.16477

**Order code :** Fernbedienung FBR12-chrom

SCHNEID-FBR12 with frame in the color chrom

**Order number :** 120.16479

**Order code :** Fernbedienung FBR12-red

SCHNEID-FBR12 with frame in the color red

**Order number :** 120.16476

**Order code :** Fernbedienung FBR12-white

SCHNEID-FBR12 with frame in the color white



## Overview models FBR14 (WiFi)

**Bestellnummer:** 120.16885

**Bestellcode:** Fernbedienung FBR14-black

SCHNEID-FBR14 with frame in the color black

**Bestellnummer:** 120.16886

**Bestellcode:** Fernbedienung FBR14-blue

SCHNEID-FBR14 with frame in the color blue

**Bestellnummer:** 120.16887

**Bestellcode:** Fernbedienung FBR14-chrom

SCHNEID-FBR14 with frame in the color chrom

**Bestellnummer:** 120.16888

**Bestellcode:** Fernbedienung FBR14-red

SCHNEID-FBR14 with frame in the color red

**Bestellnummer:** 120.16890

**Bestellcode:** Fernbedienung FBR14-white

SCHNEID-FBR14 with frame in the color white



## Remote control FBR-12 / FBR-14

You want to bring a new color to your living room?

Replacing and changing the frame of the SCHNEID-FBR12 and FBR14 is effortless without the need for tools or time. The click system makes it easy to exchange the frame.

Available in frame colors, black, blue, chrome, red and white.



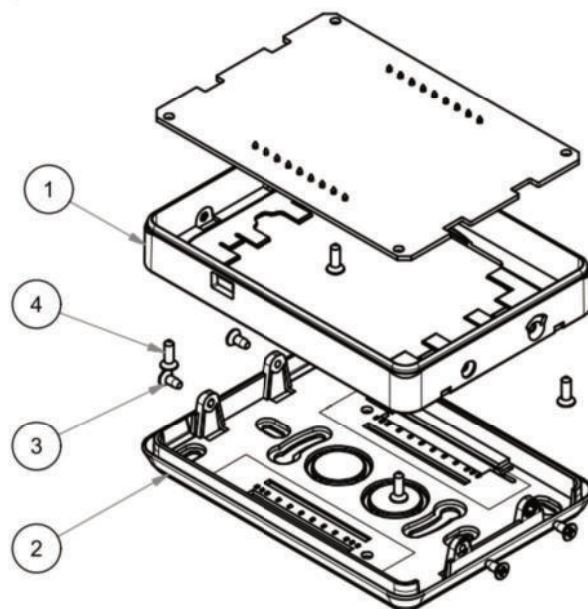
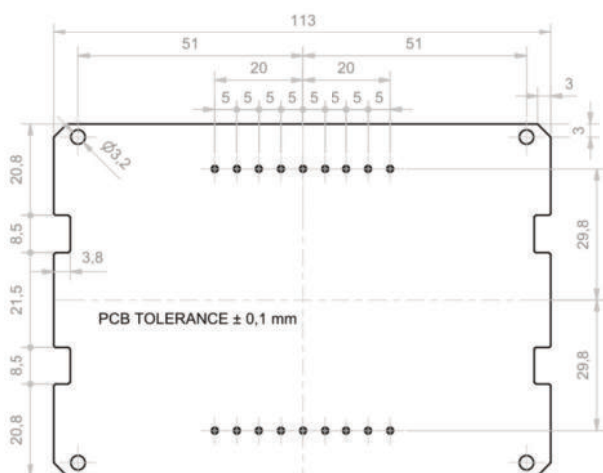
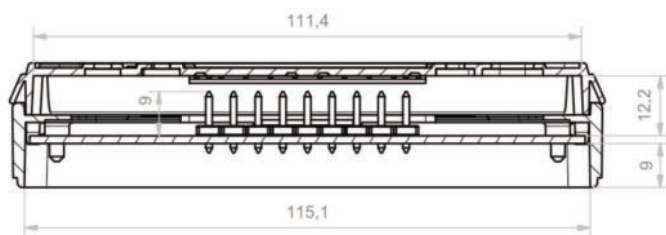
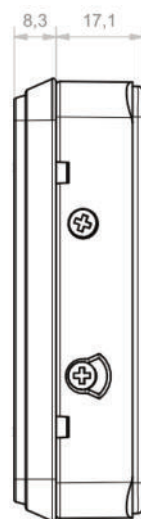
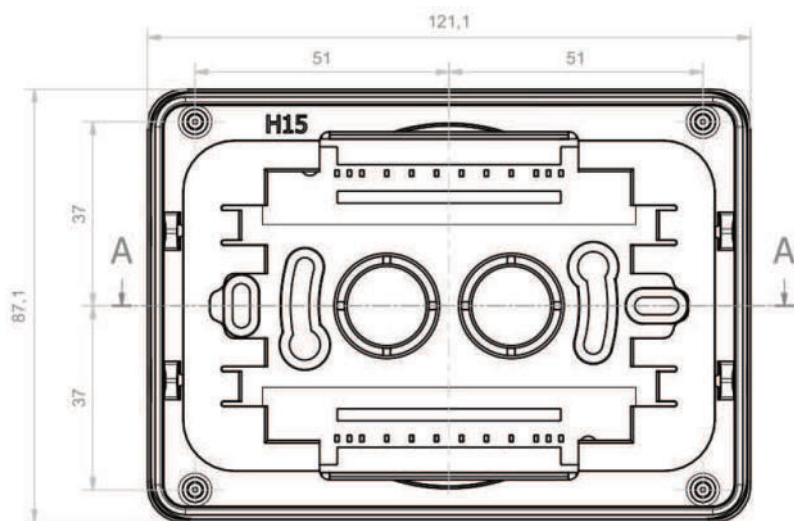
### Overview accessories FBR12 / FBR14

<b>Order number :</b>	<b>120.16530</b>
<b>Order code :</b>	<b>Rahmen für Fernbedienung FBR12 &amp; FBR14 -BLACK</b>
Frame in the color black	
<b>Order number :</b>	<b>120.16533</b>
<b>Order code :</b>	<b>Rahmen für Fernbedienung FBR12 &amp; FBR14 -BLUE</b>
Frame in the color blue	
<b>Order number :</b>	<b>120.16532</b>
<b>Order code :</b>	<b>Rahmen für Fernbedienung FBR12 &amp; FBR14 -CHROM</b>
Frame in the color chrom	
<b>Order number :</b>	<b>120.16534</b>
<b>Order code :</b>	<b>Rahmen für Fernbedienung FBR12 &amp; FBR14 -RED</b>
Frame in the color red	
<b>Order number :</b>	<b>120.16531</b>
<b>Order code :</b>	<b>Rahmen für Fernbedienung FBR12 &amp; FBR14 -WHITE</b>
Frame in the color white	



# Remote control FBR-12 / FBR-14

## Technical specifications:



# Remote control FBR-12 / FBR-14

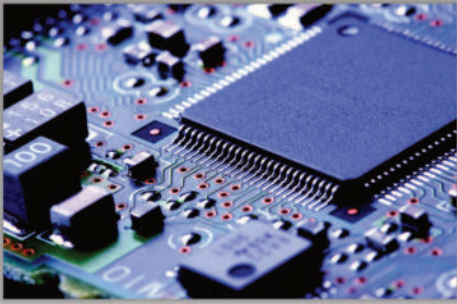
## Scope of Delivery:

SCHNEID FBR12/FBR14 remote control with color touchscreen / room sensor and frame (color of your choice)

## Technical Specifications

Intrastat Number	8537.10.91
Country of origin	EU7AT
height, width, depth (in mm)	87,1x121,1x25,4mm
Weight (in kg)	0,175 (FBR12) / 0,192 (FBR14)
country of origin	EU/AT
protection	IP20
ambient temperature	0-40°C
supply voltage	12-24VDC
current consumption	100mA
communication: ModBus	RS485, Baudrate 300-9600
tolerance of measured and displayed room temperature	+/- 0,1°C
temperature display	0°C ~ 99°C
iconset	<a href="https://icons8.de/">https://icons8.de/</a>

## Our services in summary



### Hardware

Development at first hand



### Project management

Supervise and achieve your goals



### Software

Solve custom demands and requirements



# SCHNEID

### Monitoring system

The entire system at a glance



### Quality management

Safeguards a first-class quality



### Support

Your concern is our request



All rights reserved. This document is provided by the SCHNEID GesmbH.

# SCHNEID

Schneid GesmbH | Gewerbering 16 | A-8054 | Graz/Pirka | Tel: +43 (316) 285022

Products, data sheets, documentation, MR12-SCHEMA-calculator: [www.schneid.at](http://www.schneid.at)