

MR12 Impulse add-on board



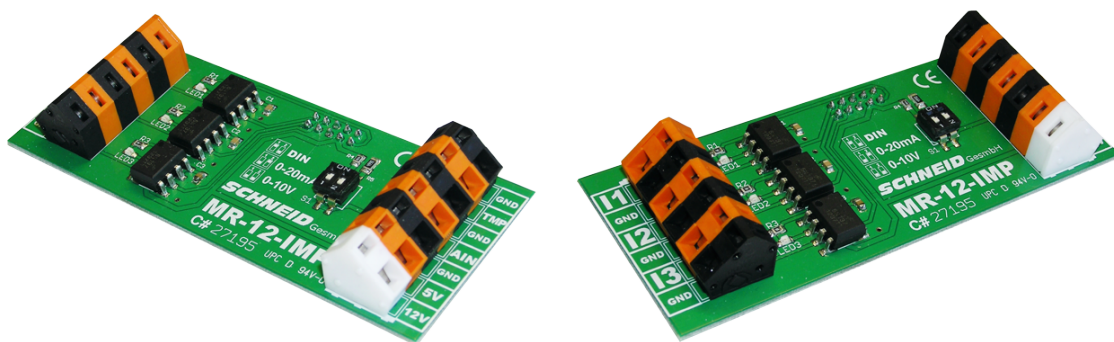
Schneid GesmbH | Gewerbering 16 | A-8054 | Graz/Pirka | Tel: +43 (316) 285022

Products, data sheets, documentation, MR12-SCHEMA-calculator: www.schneid.at

SCHNEID MR12 Impuls-add-on board
for SCHNEID-communication base modules

Order number: 190.16906

Order code: MR12 IMP-Zusatzplatine



Overview:

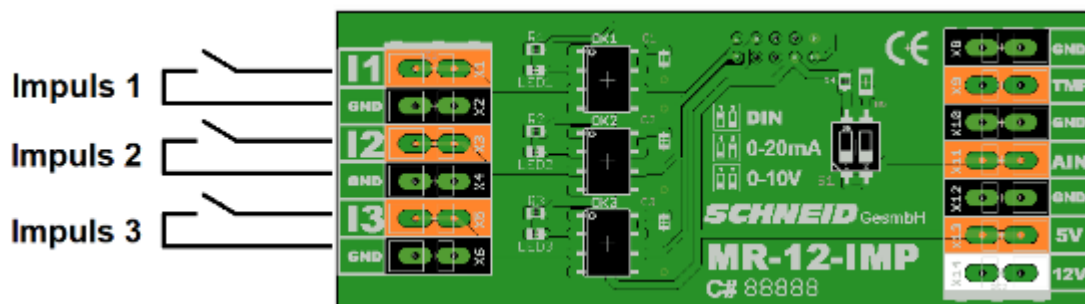
The SCHNEID MR12 IMP-module is used to record 3 pulses for e.g. a flow meter, has an additional PT1000 and also an analog input.

Terminal plan:

Switch contact variant (e.g. REED contacts)

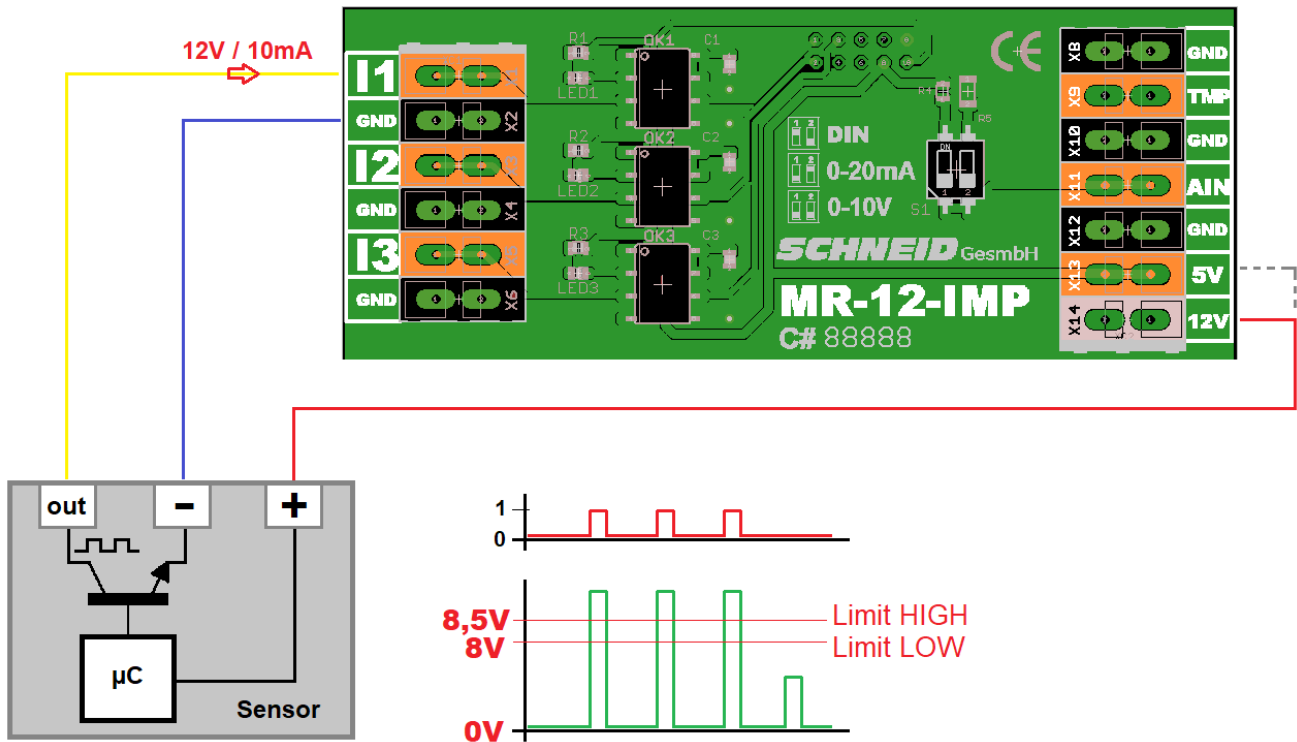
Input current = 10mA

Input voltage active 12V (voltage is output from input)



MR12 Impulse add-on board

Variant sensors with open collector output



The additional analog input AIN can be configured as a 0-10V/0-20mA or as a digital input using a dip switch. Another PT1000 sensor input is also available. Outputs with 5VDC and 12VDC are still available for the possible supply of sensors, which may be loaded with max. 100mA.

