

Communication base module CM12

Terminal diagram:

Supply connections:

L	Supply 230VAC
N	Supply 230VAC
PE	
L	Supply 230VAC
N	Supply 230VAC
PE	
+36V	Output terminal 36VDC (intended for replenishment)
0V	GND (intended for replenishment)
+5V	Output terminal 5VDC
0V	GND

Interface ports:

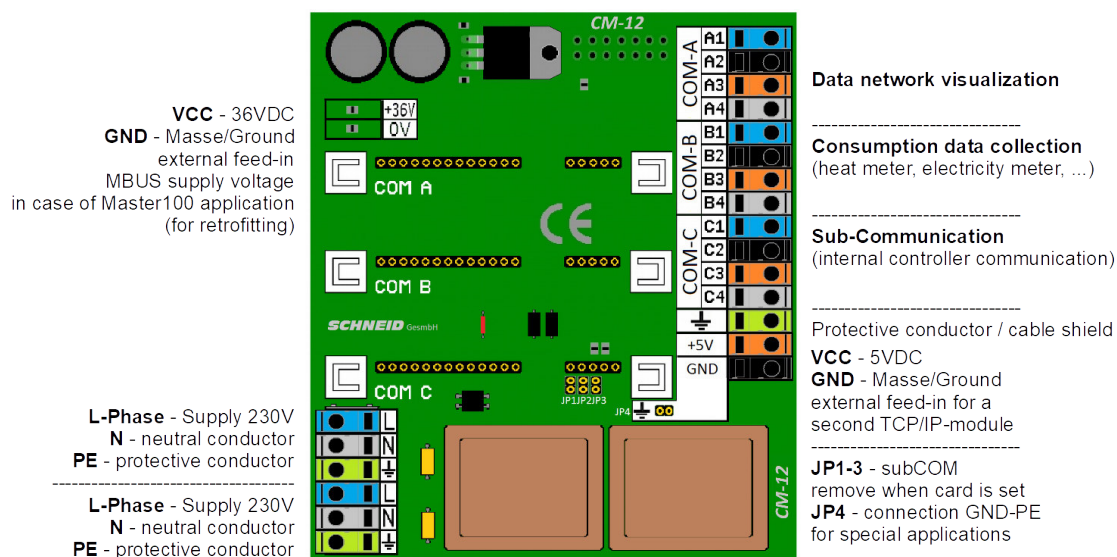
Controller Connector: 14-pin

There are 3 pc slots for communication plug-in cards on the module. The slots COM-A, COM-B and COM-C are connected to terminals.

Links:

COM-A	to terminals A1-A4
COM-B	to terminals B1-B4
COM-C	to terminals C1-C4

Depending on the interface card, the terminals 1-3 have different assignments. These are described in the individual maps.



Communication base module CM12

Variants:

SCHNEID Communication base module CM12 for SCHNEID module controller MR08*, MR12 (*after 2013)

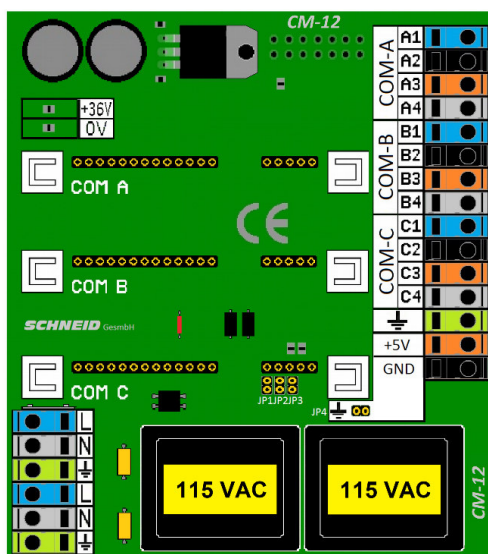
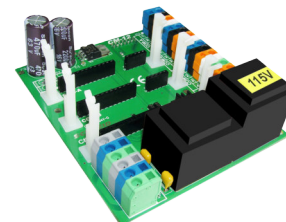
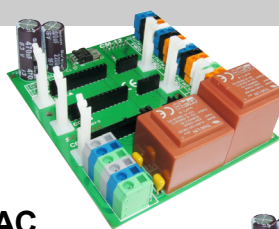
Order number: 130.17368

Order code: Kommunikationsbasismodul CM12

SCHNEID Communication base module CM12 115VAC for SCHNEID module controller MR08*, MR12 (*ab 2013)

Order number: 130.17447

Order code: Kommunikationsbasismodul CM12 115VAC



VCC - 36VDC
GND - Masse/Ground external feed-in
MBUS supply voltage in case of Master100 application (for retrofitting)

L-Phase - Supply 115V
N - neutral conductor
PE - protective conductor

L-Phase - Supply 115V
N - neutral conductor
PE - protective conductor

Data network visualization

Consumption data collection (heat meter, electricity meter, ...)

Sub-Communication (internal controller communication)

Protective conductor / cable shield

VCC - 5VDC
GND - Masse/Ground external feed-in for a second TCP/IP-module

JP1-3 - subCOM remove when card is set
JP4 - connection GND-PE for special applications

Possible combinations:

With the production date from 06/2013 and from batch C # 22293, the communication connection on the MR08 module controller is changed from 10 to 14 poles. The MR12 module controller also has a 14-pin communication connection.

<p>CM12 - 14-pin</p> 	<p>MR08 (after 2013) & MR12 - 14-pin</p> 
<p>CM12 - 14-pin</p> 	<p>MR08 (vor 2013) - 10-pin</p> 
<p>! ATTENTION !: NOT POSSIBLE – MR08 (10pins) only with CM06 (10pins)</p>	