

Plug-in card module CM-TCP



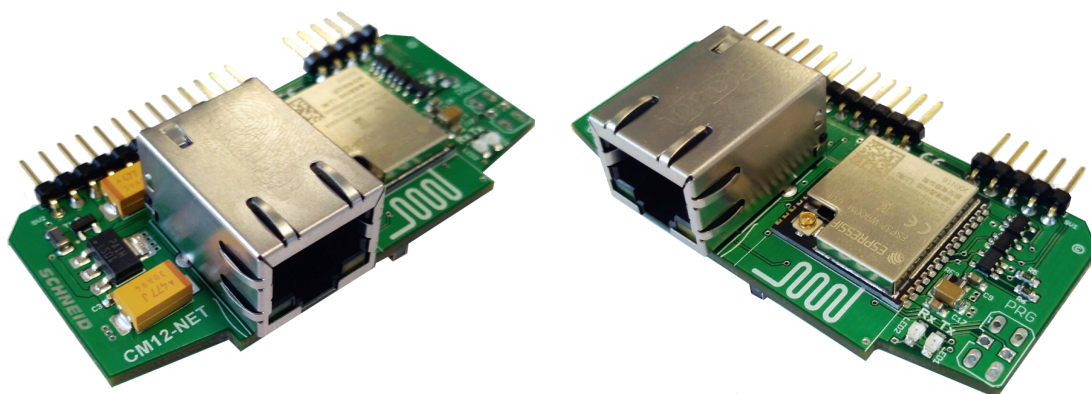
Schneid GesmbH | Gewerbering 16 | A-8054 | Graz/Pirka | Tel: +43 (316) 285022

Products, data sheets, documentation, MR12-SCHEMA-calculator: www.schneid.at

Plug-in card module CM-NET

for SCHNEID communication base modules

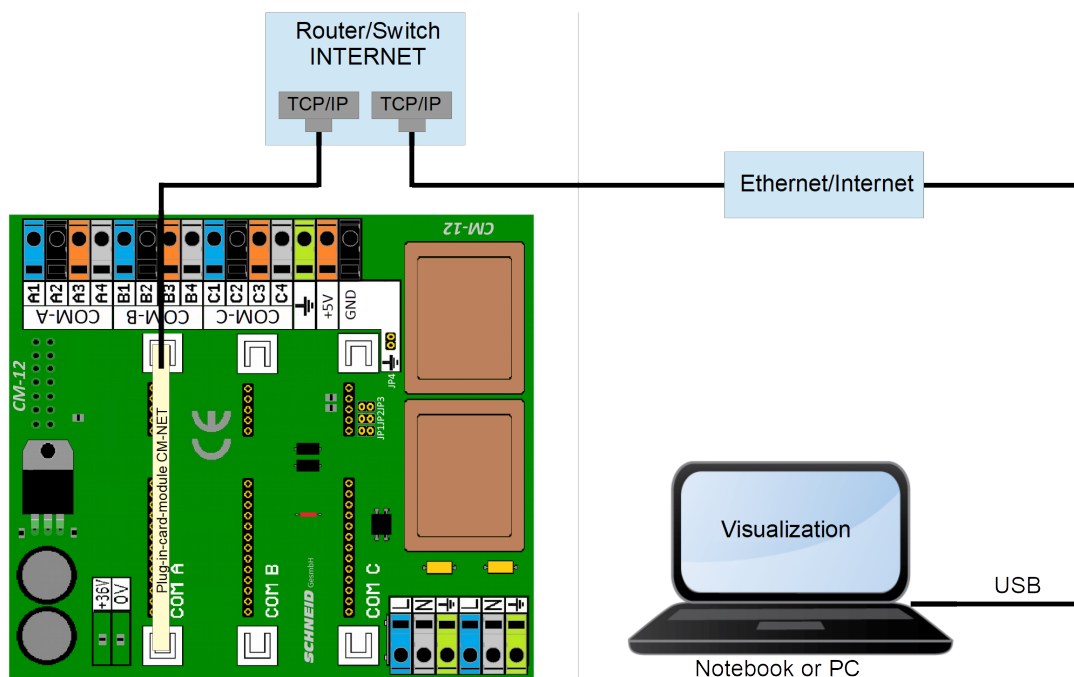
Order number:	130.18735
Order code:	Steckkartenmodul CM-NET



Overview:

The SCHNEID plug-in card module CM-NET is only suitable for the SCHNEID communication basic modules of the module control series.

With this module card, the control device can be integrated into an ethernet data network.



Plug-in card module CM-TCP

Scope of delivery:

SCHNEID plug-in card module CM-NET

Technical specifications:

Intrastat Number:	8537.10.91.99
Country of origin	EU/AT
Height, width, depth (in mm)	38x65x19
Weight (in kg)	0,017
Degree of protection	IP-00
Ambient temperature	0°C....+40°C
Operating voltage	5VDC
Power consumption	225mA
Max baud rate	115200 Bit/s
Connection type	Pin headers for base module
Mounting type	Plug-in card module
Operating time	Continuous operation
Degree of pollution	2