

Frost protection thermostat

Switching function:

If the temperature at the capillary tube falls below the setpoint over a length of 150 mm at 3 m, 300 mm at 6 m, circuit 1-2 is opened and circuit 1-4 is closed due to the switchover function.

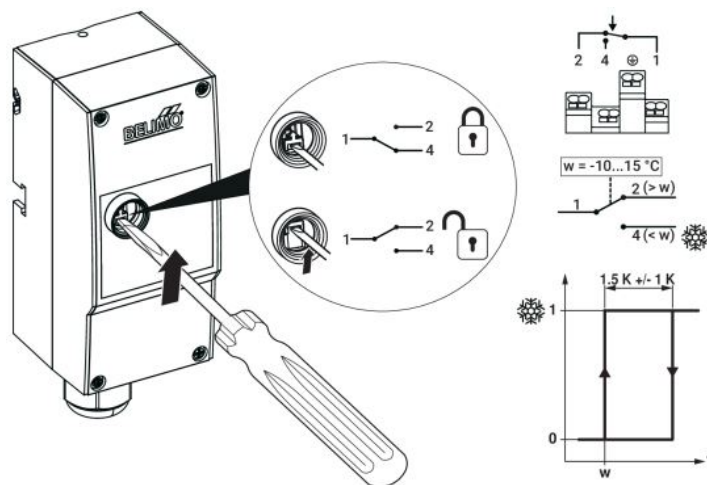
Provision:

Automatic reset

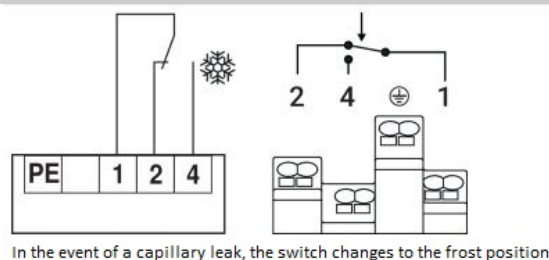
When the temperature rises, the microswitch is automatically returned to the starting position. If the measuring system is destroyed, i.e. when the expansion fluid escapes, the pressure in the membrane drops and permanently opens the circuit 1-2 and closes the circuit 1-4.

Manual reset

The types with manual reset lock automatically when the temperature drops and can only be unlocked manually after the temperature has increased. If the measuring system is destroyed, i.e. when the expansion fluid escapes, the pressure in the membrane drops and permanently opens the circuit 1-2 and closes the circuit 1-4.



Connection diagram:



Safety instructions:

This device is designed for use in stationary heating, ventilation and air conditioning systems and must not be used for applications outside the specified area of application. Unauthorized modifications are prohibited. The device must not be used in combination with other equipment that can injure people, animals or property in the event of a malfunction.

It must be ensured that the power supply is not connected when the device is installed. Do not connect to running devices.

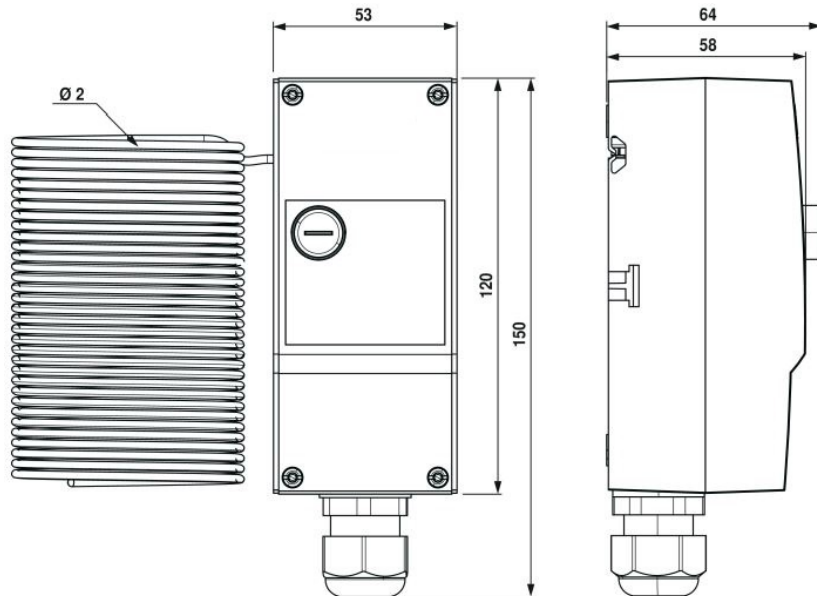
The installation must be carried out by authorized specialist personnel. The legal and official regulations must be observed.

The device contains electrical and electronic components and must not be disposed of as domestic waste. The local and currently valid legislation must be observed.

During the installation, testing and troubleshooting of this device, it may be necessary to work with powered components. Therefore, only one specialist may carry out this work. Improper handling can result in serious injury or death in contact with live components.

Frost protection thermostat

Dimensions:



Assembly instruction:

