

# Surge arrester 422-WIRE



Schneid GesmbH | Gewerbering 16 | A-8054 | Graz/Pirka | Tel: +43 (316) 285022

Products, data sheets, documentation, MR12-SCHEMA-calculator: [www.schneid.at](http://www.schneid.at)

## SCHNEID surge arrester FSS-SCHNEID 422-WIRE

with loose wire ends for connection to bus terminals

Order number: 020.09129

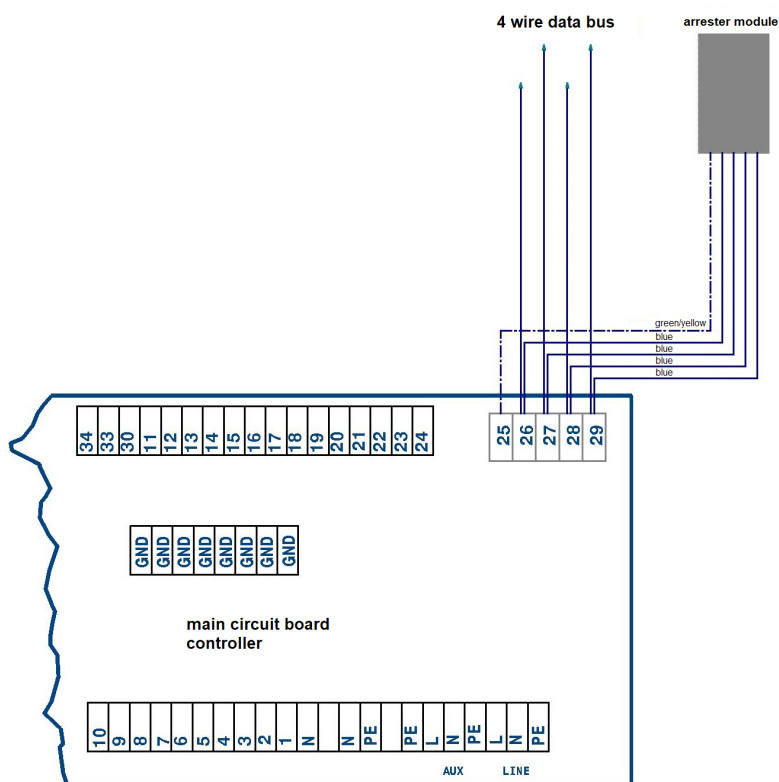
Order code: Überspannungsableiter 422-WIRE



### Overview:

The SCHNEID 422-WIRE surge arrester is clamped to the communication circuit board together with the data cable. With proper wiring and connection in accordance with the SCHNEID connection regulations (more information at [www.schneid.at](http://www.schneid.at)), the 422-WIRE arrester protects the data interface of the controller against overvoltages as a result of indirect lightning strikes. The surge arrester is supplied with loose wire ends and is used when no SCHNEID data socket is available.

Please observe the connection regulations for SCHNEID data networks.



# **Surge arrester 422-WIRE**

## **Scope of delivery:**

SCHNEID surge arrester F 422-WIRE with loose wire ends for connection to bus terminals.

## **Technical specifications:**

Intrastat number:	8537.10.91.90
country of origin	no preferential origin
Height, width, depth (in mm)	11x16x123mm
Weight (in kg)	0,009
Degree of protection	IP-00
ambient temperature	0°C....+40°C
breakdown voltage VBR	9,5 – 10,5V
Maximum clamping voltage VC	14,5V
Maximum peak heart rate IPPM	103A
Peak Pulse Power (10/1000 µs)	1500W
connection type	Loose wire ends