

# Communication base module CM06

**COM-C:** Various SCHNEID control units can be linked together on the control side via an internal data bus. Corresponding setpoints and the centrally measured outside temperature are exchanged under the control devices to enable optimized control.

## Terminal plan:

### Supply connections:

	Communication base module CM06	Communication base module CM06 115VAC
L	Supply 230VAC	Supply 115VAC
N	Supply 230VAC	Supply 115VAC
PE		
L	Supply 230VAC	Supply 115VAC
N	Supply 230VAC	Supply 115VAC
PE		
+36V	Output terminal 36VDC	Output terminal 36VDC
0V	GND	GND
+5V	Output terminal 5VDC	Output terminal 5VDC
0V	GND	GND

### Interface connections:

Controller connector: 10-pin

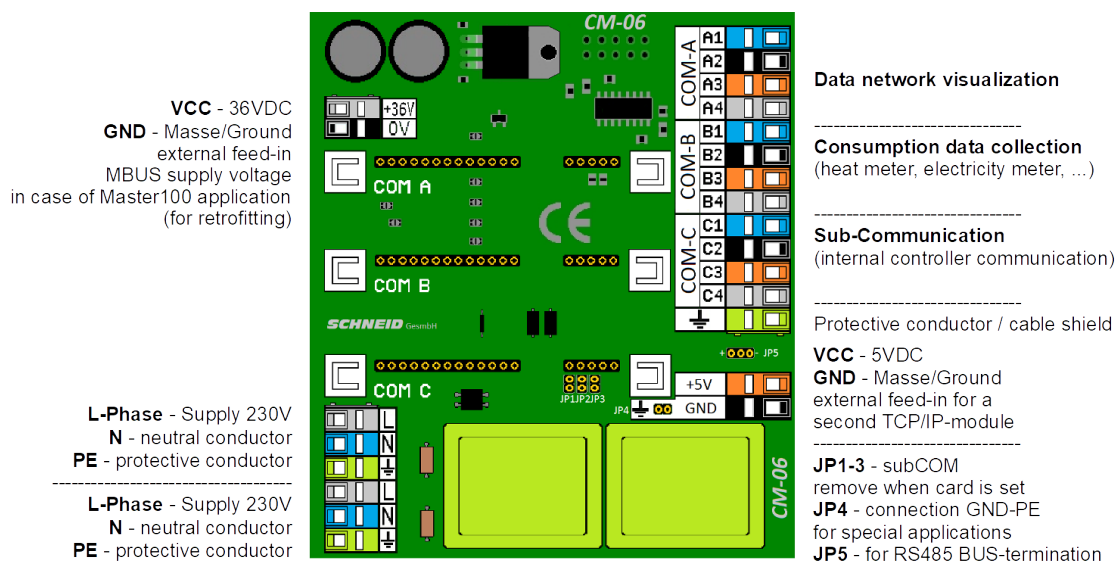
There are 3 slots for communication cards on the module.

The slots COM-A, COM-B, COM-C are routed to terminals.

### Connections:

COM-A	to terminal A1-A4
COM-B	to terminal B1-B4
COM-C	to terminal C1-C4

Depending on the interface card, terminals 1-3 have different assignments. These are described for the individual cards.



# Communication base module CM06

## Variants:

### SCHNEID communication base module CM06

for SCHNEID Module-controller MR03, 07, 08\*, 12\* (\*adapt cabel necessary)

Order number: 130.09471

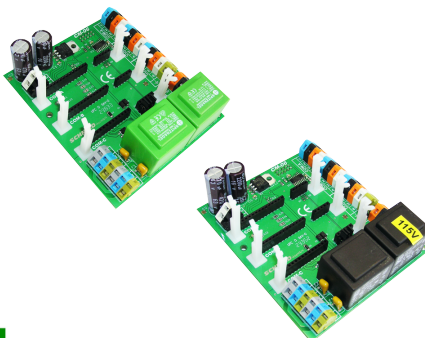
Order code: Kommunikationsbasismodul CM06

### SCHNEID communication base module CM06 115VAC

for SCHNEID Module-controller MR03, 07, 08\*, 12\* (\*adapt cabel necessary)

Order number: 130.12927

Order code: Kommunikationsbasismodul CM06 115VAC



VCC - 36VDC  
GND - Masse/Ground external feed-in  
MBUS supply voltage in case of Master100 application (for retrofitting)

L-Phase - Supply 115V  
N - neutral conductor  
PE - protective conductor

L-Phase - Supply 115V  
N - neutral conductor  
PE - protective conductor

Data network visualization

Consumption data collection (heat meter, electricity meter, ...)

Sub-Communication (internal controller communication)

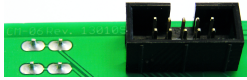

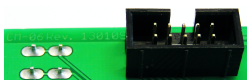

Protective conductor / cable shield

VCC - 5VDC  
GND - Masse/Ground external feed-in for a second TCP/IP-module

JP1-3 - subCOM remove when card is set  
JP4 - connection GND-PE for special applications  
JP5 - for RS485 BUS-termination

## Possible combinations:

With the production date from 06/2013 and from batch C # 22293, the communication connection on the module controller MR08 is changed from 10 to 14 poles. The use of a CM06 communication base module is only possible with an adapter cable (14 to 10-pin). The module controller MR12 also has a 14-pin communication connection.

<p>CM06 - 10-pin</p> 	<p>MR03, MR07, MR08 (vor 2013) - 10-pin</p> 
<p>CM06 - 10-pin</p> 	<p>MR08 (after 2013) and MR12 - 14-pin</p> 
<p><b>Adapter cabel necessary 10 &gt;&gt; 14-pin</b></p> 