

Remote control SCHNEID-FBR6

Remote control FBR6 SCHNEID with room sensor

for module regulator series MR06, MR07, MR08, MR12

Order number: 120.09577

Order code: Fernbedienung FBR6 SCHNEID mit Raumfühler

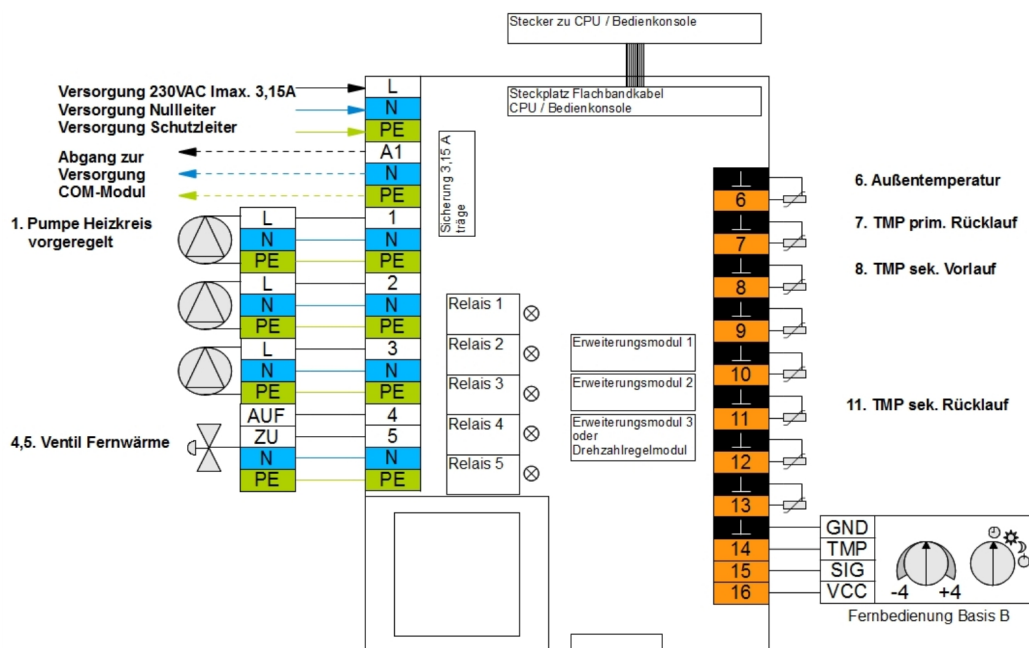


Overview

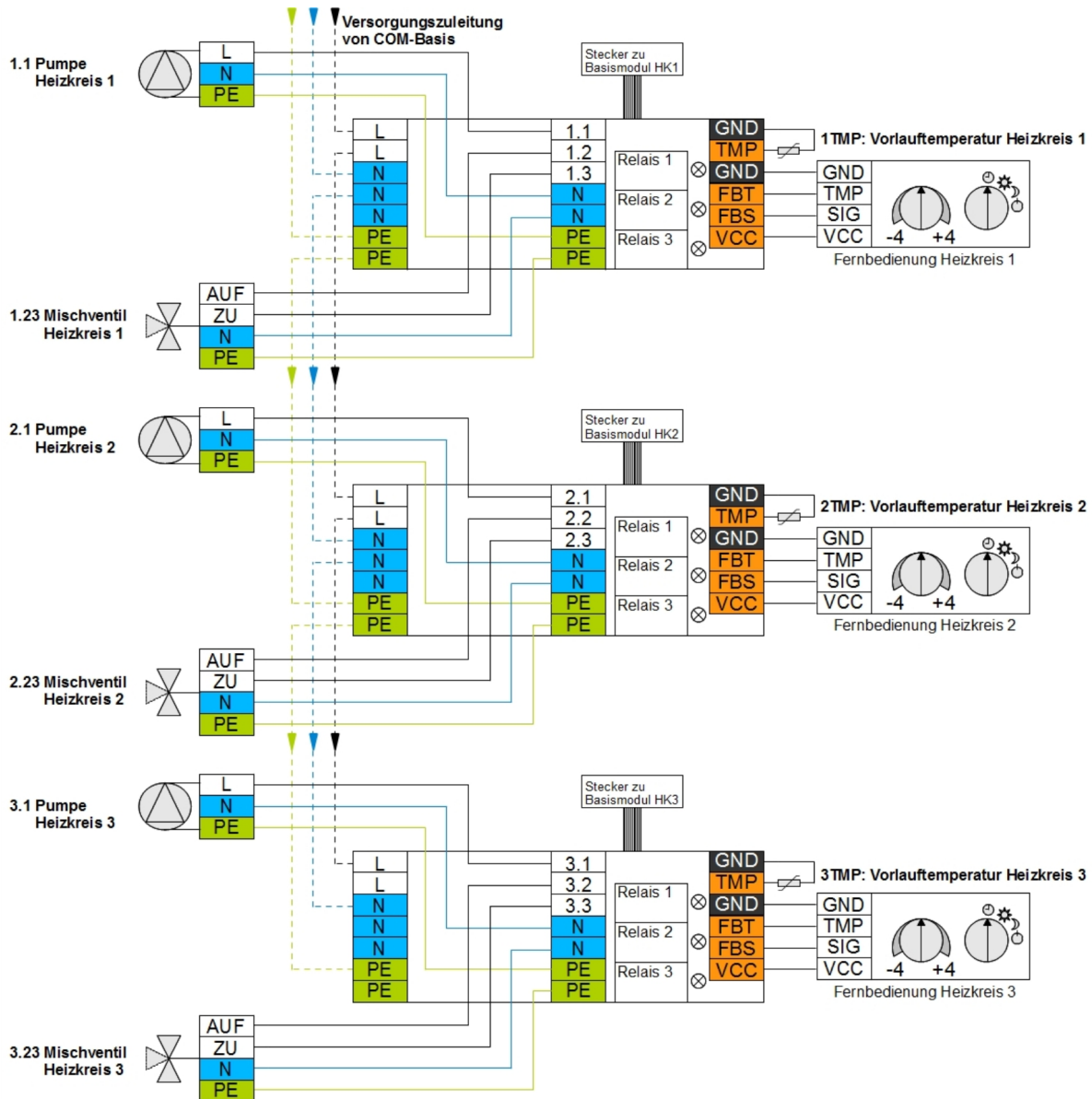
The remote control FBR6 SCHNEID is compatible with all SCHNEID control devices of the MODUL series (except MR05 T-Print).

An OFF / DAY / NIGHT / AUTOMATIC preselection switch is provided for preselecting the operating mode. A setting potentiometer with a range of plus / minus four degrees is available to change the target room temperature. A room sensor is installed in the remote control, which can be used to use various heating control programs and to optimize the SCHNEID control unit.

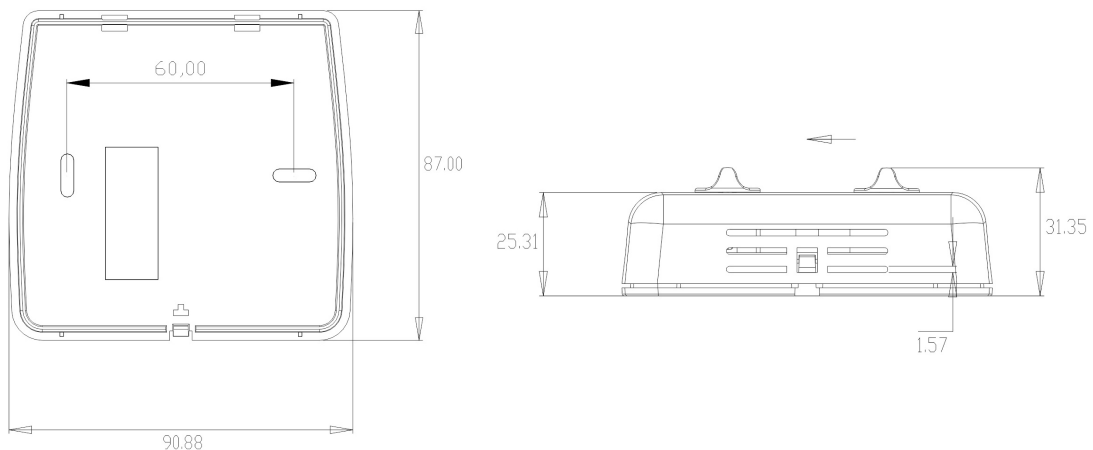
Connection diagram



Remote control SCHNEID-FBR6



Technical specifications:



Remote control SCHNEID-FBR6

Scope of delivery:

Remote control FBR6 SCHNEID wit room sensor

Technical specifications:

Intrastat number	8537.10.91.90
Country of origin	EU/AT
height, width, depth (in mm)	87x91x31
weight (in kg)	0,079
protection	IP-20
ambient temperature	0-40°C
supply voltage	5VDC
current consumption	5mA
Tolerance of the measured and displayed room temperature	+/- 0,7°C

Spare parts FBR3:

Knob Poti for FBR3/6

Order number: 120.15930

Order code: Drehknopf Poti für FBR3/6

Knob switch for FBR3/6

Order number: 120.15931

Order code: Drehknopf Schalter für FBR3/6

