

Plug-in card module CM06-TCPIP



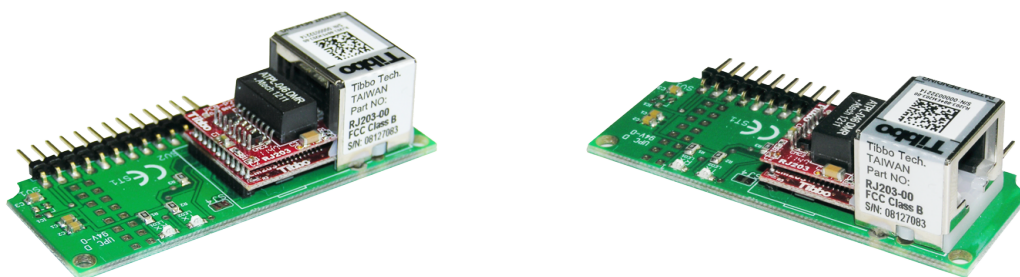
Schneid GesmbH | Gewerbering 16 | A-8054 | Graz/Pirka | Tel: +43 (316) 285022

Products, data sheets, documentation, MR12-SCHEMA-calculator: www.schneid.at

SCHNEID plug-in card module CM06-TCP / IP
for SCHNEID communication base modules

Order number: 130.09774

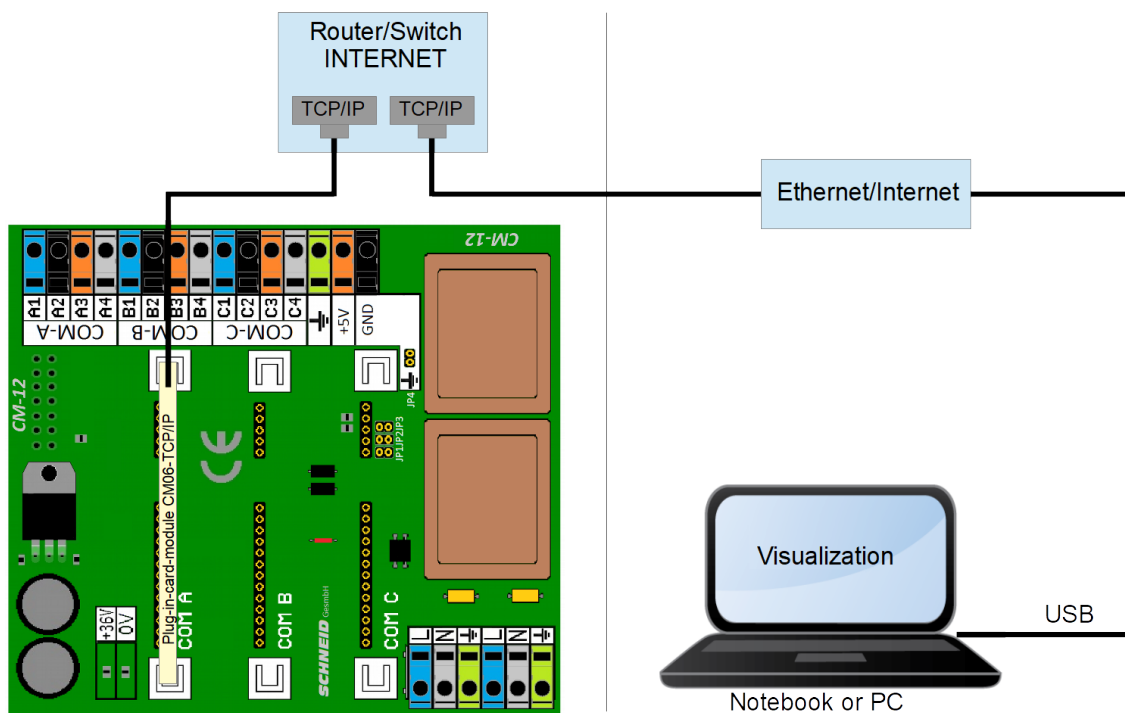
Order code: Steckkartenmodul CM06-TCPIP



Overview:

The SCHNEID plug-in card module CM06-TCP is only suitable for the SCHNEID communication base modules of the module control series.

With this module card, the control device can be integrated into a TCP / IP data network.



Plug-in card module CM06-TCP/IP

Scope of Delivery:

SCHNEID plug-in card module CM06-TCP / IP

Technical specifications:

Intrastat Number	8537.10.91.90
Country of origin	EU/AT
Height, width, depth (in mm)	32x65x19
Weight (in kg)	0,015
Protection class	IP-00
Ambient temperature	0°C....+40°C
Operating voltage	5VDC
Power consumption	175mA
Max baud rate	115200 Bit/s
Connection type	Male headers for the base module
Mounting type	Plug-in card module
Operating time	Continuous operation
Degree of pollution	2